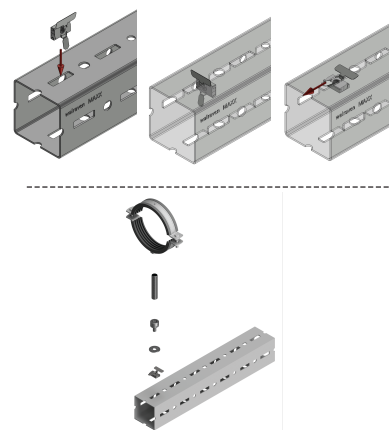


Walraven Maxx Clamp Adaptor Set

(H2 05 24)

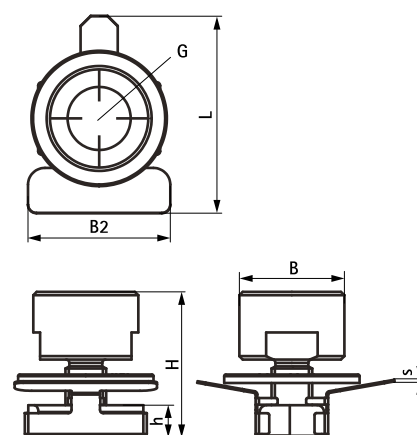
for connecting clamps to Maxx Heavy Rail Profiles



Avantages et caractéristiques

- patented slide nut pre-assembled with a big washer and a thread adaptor to connect Walraven Heavy Duty Clamps M16 or 1/2" to Walraven Maxx Heavy Rail Profiles
- advised to be used in combination with Walraven Heavy Duty Clamps HD1501 (M16, 1/2")
- material: slide nut made of steel 1.0332; adaptor made of steel 1.0718; aid tray made of stainless steel 1.4301
- slide nut: hot dip galvanized; washer and adaptor are part of the Walraven BIS UltraProtect® 1000 system

N°Art.	Type	G	L	B	B2	H	h	s	T _(inst.) (Nm)	F _{a,z} (N)	F _{a,x} (N)	Cond.1
651867116	CA	M16	58,3	28	42	43	9	0,5	50,0	11.400	2.100	25
651867121	CA	1/2"	58,3	31	42	43	9	0,5	50,0	11.400	2.100	25



Complémentaire

Walraven Maxx Rail charges lourdes
 Colliers lourds Walraven HD1501
 (BUP1000)
 Colliers lourds Walraven HD1501
 (BUP1000)