

# Walraven Strut Placas de pared (ranura lateral)

(H 12 50)

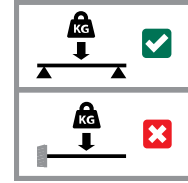
fijación a pared



6658 3 801

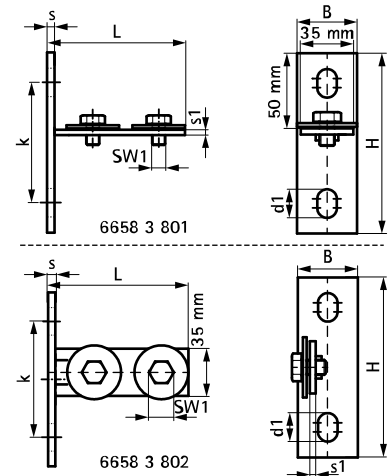


6658 3 802



## Características y ventajas

- instalación rápida
  - ideal for fastening RapidStrut® Fixing Rails as traverses in shafts or racks
  - suitable for rails type 21, 41 or 21 Double
  - with pre-assembled screws M10x16mm / SW17 and washers 10,5x40mm
  - acero zincado
- material: acero 1.0332



Pieza Nº	Modelo	L	B	H	s	s1	d1	k	T <sub>(inst.)</sub>	F <sub>a,y</sub>	F <sub>a,y2</sub>	F <sub>a,x</sub>	F <sub>a,x 2</sub>	U.m.v.1
		(mm)	(mm)	(mm)	(mm)	(mm)	(mm)	(mm)	(Nm)	(N)	(N)	(N)	(N)	
66583801	Horizontal	104 mm	40	120	5,0	4,0	19 x 13	80	15,0	4.280*	9.880**	1.760*	1.980**	25
66583802	Vertical	104 mm	40	120	5,0	4,0	19 x 13	80	15,0	4.280*	9.880**	1.760*	1.980**	25

\* F<sub>a,y</sub> and F<sub>a,x</sub> fixed on rail type L (1,5mm thickness) with M12 and 25Nm.

\*\* F<sub>a,y2</sub> and F<sub>a,x2</sub> fixed on rail type H (2,5mm thickness) with M12 and 35Nm.