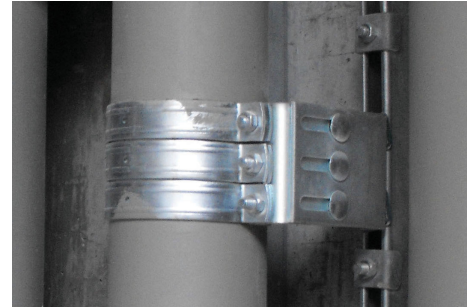


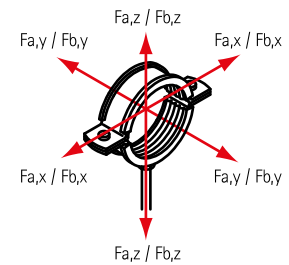
# BIS Stainless Steel Fixpoint Console FPC 'Medium'

(M 19 02)



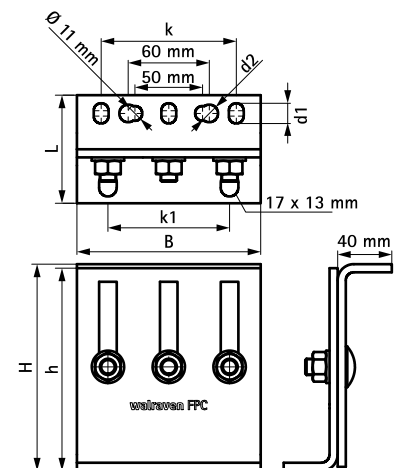
## Características y ventajas

- flexible use console module for high forces (depending on the situation, detailed design by technical service)
- can be used as a pipe connection point in conjunction with 2 or 3 heavy-duty clamps type Stainless Steel Heavy Duty Clamps and Stainless Steel Heavy Duty Clamps with Lining
- pares de apriete de 75Nm para los tornillos de fijación de la consola
- material: metal parts made of stainless steel 1.4404 (A4) - EN 10088, AISI 316L; bolts, nuts, washers made of stainless steel 1.4401 (A4) - EN 10088, AISI 316



Pieza N°	L	B	H	h	d1	d2	k	k1	F <sub>a,z</sub>	F <sub>a,y</sub>	F <sub>a,x</sub>	U.m.v.
		(mm)	(mm)	(mm)	(mm)	(mm)	(mm)	(mm)	(N)	(N)	(N)	1
6697206	80 mm	136	153 - 268	150	15 x 11	∅ 13,0	100	90	14.300	11.500	3.200	2 *

*\* Depending on the situation, please contact Walraven Technical Support for advice on safe loads.  
Nota: las abrazaderas y la consola deben ser solicitadas por separado.*



### Complementarios

BIS Bifix® 300 acero inox  
 BIS Bifix® 1301 acero inox  
 Stainless Steel Heavy Duty Clamp with Lining

### Complementarios

Stainless Steel Heavy Duty Clamp  
 WTB1 Anclaje macho