

# Walraven Yeti<sup>®</sup> 335 Support System

(10410)

for Rooftop Installations



## Features and benefits

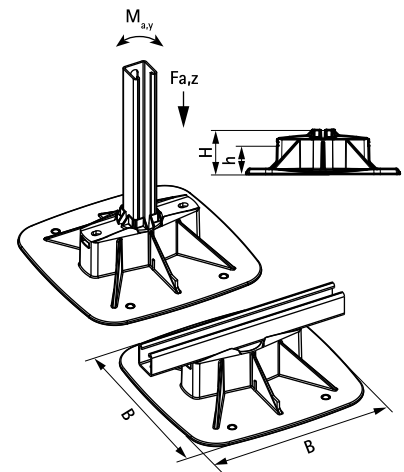
- modular supporting system for HVAC equipment, solar panels, walkways, pipe work, cable runs, etc.
- for flat roofs
- for horizontal and vertical applications
- 360° rotatable insert for BIS RapidStrut<sup>®</sup> 1-5/8" x 1-5/8" or BIS RapidStrut<sup>®</sup> DS 5 (1-5/8" x 2")
- with non-slip anti-vibration mat
- noise reduction according to DIN EN ISO 10140-1 and DIN EN ISO 10140-3 up to 31 dB(A)
- UV-resistance according to EN ISO 16474-3:2014-02 - certified by ITB
- BIS Yeti 335 H-set consisting of:
  - 2 x BIS Yeti<sup>®</sup> 335 including non-slip anti-vibration mat (made of rubber)
  - 4 x BIS Strut Connector 90°
  - 8 x hexagon head bolts and strut nuts
- mouldings made of WPC, a composite of recycled plastic and wood fibre
- resistant to UV and chemical influences



Nr.  
1762-001-19

ITB No.  
LZM00-02259

Part No.	Model	B	B	H	H	h	h	F <sub>a,z</sub>	F <sub>a,z</sub>	F <sub>a,z 2</sub>	F <sub>a,z 2</sub>	M <sub>a,y</sub>	M <sub>a,y</sub>	Pac k 1	Pac k 2
		(mm)	(")	(mm)	(")	(mm)	(")	(N)	(lbf)	(N)	(lbf)	(Nm)	(ft-lb)		
67685201	Vertical	335	13 3/16	96	3-3/4	20	13/16	20,00*	4,496*	30,00**	6,744**	200,00	147,50	1	90
67685302	H-set (without Strut Rail)	335	13 3/16	100	3-3/4	20	13/16	-	-	-	-	200,00	-	1	32



\* = Maximum allowed load for Strut 1-5/8"x1-5/8" - 12Ga.

\*\* = Maximum allowed load for Strut 1-5/8"x2" - 14Ga DS5.

For a detailed calculation and for support how to spread the load please contact Walraven Technical Support.

In cases where a foot is used in roof applications, the installer is obliged to verify maximum load capacity of roof before installation.

## Alternative

Walraven Yeti<sup>®</sup> 130 Support System