

# Walraven Yeti<sup>®</sup> 335 H-Set with Rail (BUP1000)

(10411)

for Rooftop Installations

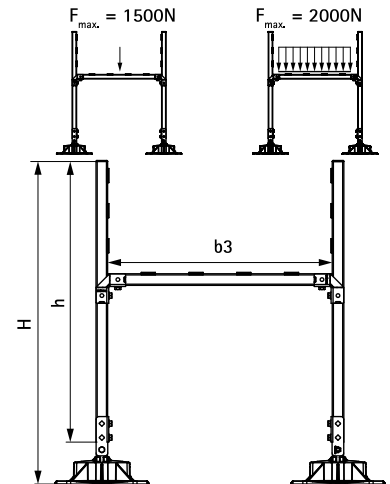


## Features and benefits

- complete set for supporting installation appliances on flat and low pitched roofs
- for quick installation of air duct channels on the roof
- adjustable to compensate roof pitch and 360° rotatable insert for flexibility in positioning
- with non-slip anti-vibration mat
- predefined load capacity (see assembly instruction), calculation not necessary
- mouldings made of WPC, a composite of recycled plastic and wood fibre
- resistant to UV and chemical influences
- UV-resistance according to EN ISO 16474-3:2014-02 - certified by ITB
- surface protection:
  - product is part of the Walraven BIS UltraProtect<sup>®</sup> 1000 system
  - suitable for in and outdoor applications
  - stands min. 1,000 hours salt spray test (max. 5% red rust) according to ISO 9227
- noise reduction according to DIN EN ISO 10140-1 and DIN EN ISO 10140-3 up to 31 dB(A)
- Part No. 67685310 consisting of:
  - 2 x BIS Yeti<sup>®</sup> 335 including non-slip anti-vibration mat (made of rubber)
  - 3 x 1.0 m BIS RapidStrut<sup>®</sup> Fixing Rail 41|H (BUP1000)
  - 2 x BIS Yeti 335 Hinge (BUP1000)
  - 2 x BIS Strut Connector 90° / 2D (BUP1000)
  - 10 x BIS Strut Rubber Strip 50mm for noise insulating according DIN 4109
  - all connecting elements, rail end caps and bolts are included and most are pre-assembled



Nr. 1762-001-19 ITB No. LZM00-02259



Part No.	Pack 1
67685310	1