

Walraven RapidStrut® Fixing Rail DS 5 (BUP1000)

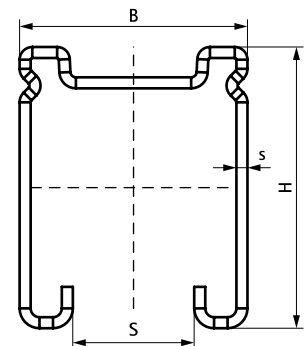
(H 04 05)

for medium weight fixing applications



Features and benefits

- for quick and easy fixing
- unique hole pattern, allowing BIS RapidStrut® Accessories to be mounted on both sides of the rail
- very high corrosion resistance (Walraven BIS UltraProtect® 1000)
- corrosion protection remains intact after cutting
- strength minimal equal to Strut 1 5/8" x 1 5/8" x 12g
- with continuous perforation
- distance between rail end and first hole is always equal
- continuous graduated centimeter scale on one side
- inward formed flanges with serrated profile for extra grip
- material: steel 1.0242
- surface protection:
 - product is part of the Walraven BIS UltraProtect® 1000 system
 - suitable for in and outdoor applications
 - stands min. 1,000 hours salt spray test (max. 5% red rust) according to ISO 9227
- for more information about the max. allowed load ($F_{a,z}$) please refer to the loading tables or our online datasheet 'Walraven RapidStrut® Data Sheet'



Part No.	L	B	H	s	BndS	App.
		(")	(")	(Ga)		
65058352	10 ft	1 5/8	2	14	10	ft.
For more information about the max. allowed load ($F_{a,z}$) please refer to the loading tables or our online datasheet 'Walraven RapidStrut® Data Sheet'.						

Complementary

- BIS RapidStrut® Hammerfix G2 (BUP1000)
- Walraven RapidStrut® Rail Connector 90° G2 (BUP1000)
- Walraven RapidStrut® Rail Connector 135° G2 (BUP1000)

Complementary

- Walraven RapidStrut® Rail T- and X-Connector G2 (BUP1000)
- Walraven Strut Rail End Cap