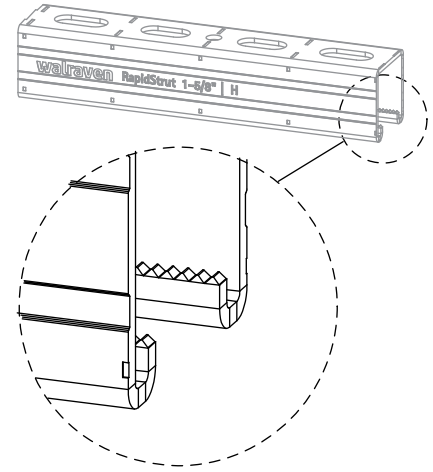
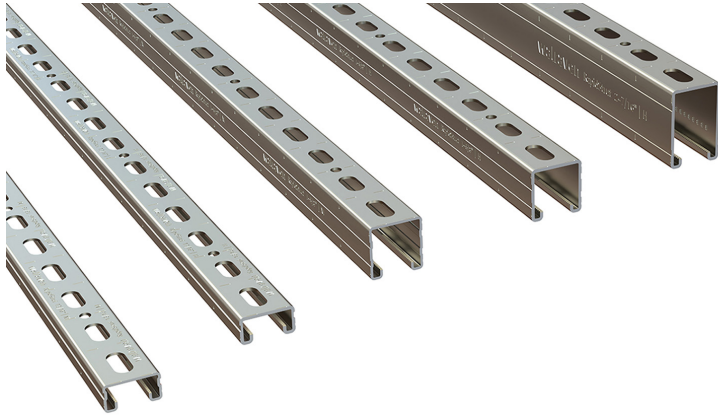


Walraven RapidStrut® Fixing Rail (pg)

(H 04 200)

suspension and support

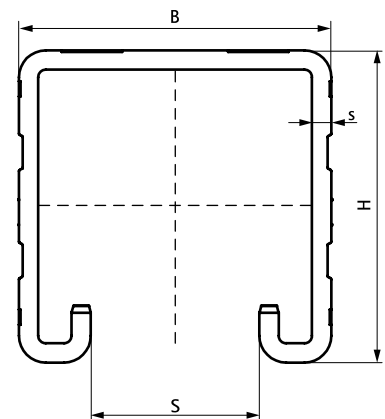


Features and benefits

- universal Strut System
- distance between rail end and first hole is always equal
- continuous graduated 2 inch scale on both sides
- inward formed flanges with serrated profile for extra grip
- pre-galvanized

Part No.	Model	Type	L	B (")	H (")	s (Ga)	S (")	BndS	BndL	App.
CR6505324	Half slot perforation	13/16 L	10 ft	1-5/8	13/16	16	7/8	10	50	ft.
CR6505322	Half slot perforation	13/16 M	10 ft	1-5/8	13/16	14	7/8	10	50	ft.
CR6505622	Half slot perforation	13/16 M	20 ft	1-5/8	13/16	14	7/8	-	-	ft.
CR6505325	Half slot perforation	13/16 H	10 ft	1-5/8	13/16	12	7/8	10	50	ft.
CR6505625	Half slot perforation	13/16 H	20 ft	1-5/8	13/16	12	7/8	-	-	ft.
CR6505342	Half slot perforation	1-5/8 M	10 ft	1-5/8	1-5/8	14	7/8	10	50	pc.
CR6505642	Half slot perforation	1-5/8 M	20 ft	1-5/8	1-5/8	14	7/8	10	50	pc.
CR6505345	Half slot perforation	1-5/8 H	10 ft	1-5/8	1-5/8	12	7/8	10	50	pc.
CR6505645	Half slot perforation	1-5/8 H	20 ft	1-5/8	1-5/8	12	7/8	10	50	pc.
CR6505365	Half slot perforation	2-7/16 H	10 ft	1-5/8	2-7/16	12	7/8	10	30	pc.
CR6505665	Half slot perforation	2-7/16 H	20 ft	1-5/8	2-7/16	12	7/8	10	30	pc.

For more information about the max. allowed load ($F_{a,2}$) please refer to the loading tables or our online datasheet 'Technical Details BIS RapidStrut®'.



Complementary

BIS RapidStrut® Hammerfix G2 (BUP1000)
 BIS RapidStrut® Slide Nuts G2 (BUP1000)
 Walraven RapidStrut® Rail T- and X-Connector G2 (BUP1000)

Complementary

Walraven Yeti® 480 Support System
 Walraven Yeti® 335 Support System
 Walraven W1000 Strut Clamp