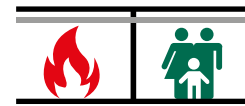
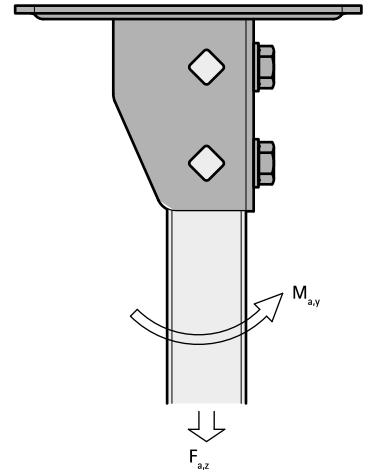


Walraven RapidStrut® Base Plate G2 (BUP1000)

(H 12 03)

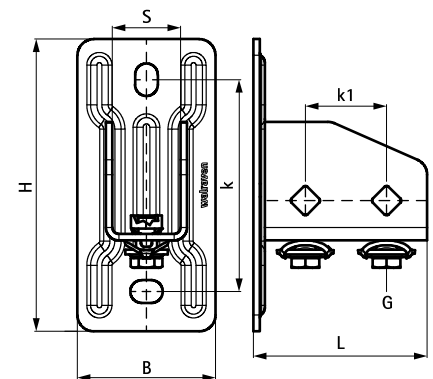


Features and benefits

- flexible base plate for Strut channel
- suitable for all Strut channel up to 3-1/5"
- open side of strut 1-5/8"x1-5/8" can be turned to all sides
- at high loads we advise to install with throughbolts
- timesaving with pre-assembled fasteners
- material: metal parts made of steel 1.0332; spring(s) made of POM (polyoxymethylene), green
- surface protection:
 - product is part of the Walraven BIS UltraProtect® 1000 system
 - suitable for in and outdoor applications
 - stands min. 1,000 hours salt spray test (max. 5% red rust) according to ISO 9227
- tested for fire safety according to EN 1366-1

Part No.	G	L	L	B	B	H	H	S	k	k	k1	k1	F _{a,z}	F _{a,z}	F _{a,z}	M _{a,y}	Pack 1
			(°)	(mm)	(°)	(mm)	(°)	(°)	(mm)	(°)	(mm)	(°)	(N)	2 (N)	2 (lbf)	(Nm)	
665885400	M10	107 mm	4.21	85	3.35	180	7	1.65	130.5	5.14	50	2	3,636	5,151	1157,99	485.0	10

F_{0,z}: max. allowed load in combination with 2 slide nuts M10, tightened with 40 Nm.
F_{a,z}: max. allowed load in combination with 2 throughbolts M10, tightened with 40 Nm.
M_{0,y}: max. moment in combination with 2 throughbolts M10, tightened with 40 Nm.



Complementary

Walraven RapidStrut® Fixing Rail DS 5 (BUP1000)