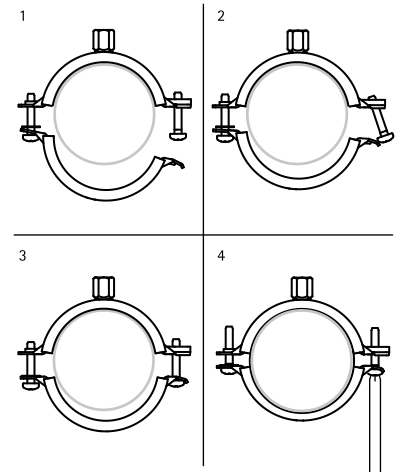


KSB2 Clamp (3/8" - 1/2")

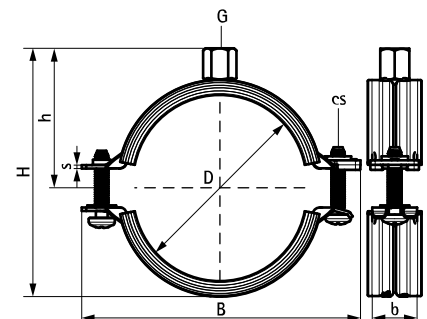
(A 05 213)

for steel, copper, cast iron and plastic (multilayer) pipe 10 - 225 mm



Features and benefits

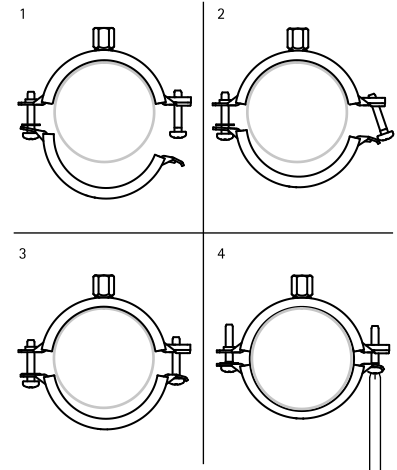
- two-screw clamp
- quick closing mechanism for easy locking of the clamp with one hand
- full range from 1/4" to 8"
- material: Carbon Steel
- zinc plated
- temperature resistance from -30 °C to +120 °C (-22 °F to 248 °F)
- age resistant lining
- noise insulating lining, EPDM rubber, black and green
- sound insulating lining according DIN 4109
- noise reduction according to ISO 3822-1 up to 23 dB(A)



KSB2 Clamp (3/8" - 1/2")

(A 05 213)

for steel, copper, cast iron and plastic (multilayer) pipe 10 - 225 mm



										(Ga)			
CR3398070	66 - 70	-	2½	-	-	4 2/3	3 5/8	2	0.787 x 16 (Ga)	3/8"	220	50	
CR3398079	75 - 79	-	-	2½	65	5	4	2 1/8	0.787 x 16 (Ga)	3/8"	220	50	
CR3398083	80 - 83	-	3	-	80	5 1/5	4 1/6	2 1/4	0.787 x 16 (Ga)	3/8"	220	50	
CR3398091	88 - 91	-	3½	3	-	5 3/5	4 2/5	2 1/3	0.906 x 14 (Ga)	3/8" - 1/2"	340	50	
CR3398105	100 - 105	-	4	3½	-	6 1/9	5	2 3/5	0.906 x 14 (Ga)	3/8" - 1/2"	340	50	
CR3398115	108 - 115	-	-	4	100	6 1/2	5 2/7	2 3/4	0.906 x 14 (Ga)	3/8" - 1/2"	340	25	
CR3398130	125 - 130	-	5	-	-	7 1/8	6	3	0.906 x 14 (Ga)	3/8" - 1/2"	340	25	
CR3398140	133 - 140	-	-	5	150	7 4/9	6 2/7	3 1/4	0.906 x 14 (Ga)	3/8" - 1/2"	340	25	
CR3398160	152 - 160	-	6	-	-	8 2/9	7	3 4/7	0.906 x 14 (Ga)	3/8" - 1/2"	340	25	
CR3398169	165 - 169	-	-	6	-	8 6/7	7 2/3	4	0.9842 x 12 (Ga)	3/8" - 1/2"	530	20	
CR3398180	176 - 180	6-½" OD	-	-	-	9 3/8	7 7/8	4 1/4	0.9842 x 12 (Ga)	3/8" - 1/2"	530	15	
CR3398200	192 - 200	7" OD	-	-	-	10 1/8	9	4 2/3	0.9842 x 12 (Ga)	3/8" - 1/2"	530	15	
CR3398210	205 - 210	7-½" OD	-	-	-	10 3/5	9 4/9	4 7/8	0.9842 x 12 (Ga)	3/8" - 1/2"	530	10	
CR3398225	219 - 225	-	-	8	200	11 1/7	10	5 1/2	0.9842 x 12 (Ga)	3/8" - 1/2"	530	10	

