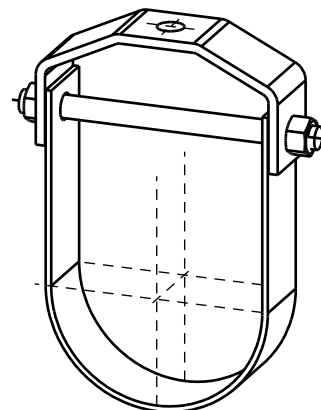


IH107 Clevis Hanger

for steel and insulated pipes

(P 04 45)



Features and benefits

- standard finish:
 - zinc plated
- other finishes available on request

Part No.	IP (")	DN	G	B (")	h (")	b (")	s (")	s1 (")	d1 (")	Fa,z (lbs)	Pack 1
B495 3 034	1	25	M6	2.36	2.56	0.98	0.12	0.12	3/8	180	1
B495 3 048	1 1/2	40	M10	3.15	2.99	1.18	0.12	0.12	3/8	180	1
B495 3 114	4	100	M12	6.30	5.51	1.57	0.20	0.12	3/8 - 1/2	200	1
B495 3 168	6	150	M16	8.66	7.20	1.97	0.24	0.24	1/2	400	1
B495 3 219	8	200	M16	11.42	8.46	1.97	0.39	0.24	1/2	575	1
B495 3 273	10	250	M20	13.78	10.04	1.97	0.39	0.24	1/2	575	1
B495 3 323	12	300	M20	16.14	11.14	1.97	0.47	0.39	1/2	575	1

