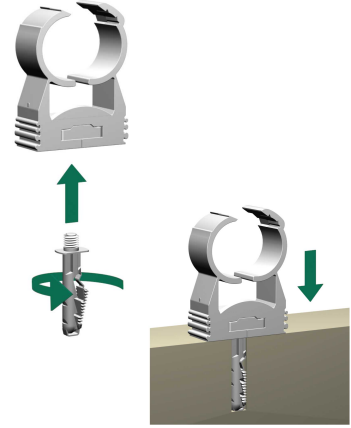


BIS starQuick® Push Plug

(C 05 75)

accessories BIS starQuick® Pipe Clamps with Nut



Features and benefits

- for fixing of BIS starQuick® Clamp or other clamp with 1/4" threaded connection
- pre-drill 5/16" hole and insert plug
- material: modified PA6 (polyamide), grey
- resistant to UV, aging, oil and gasoline
- corrosion-free, recyclable, halogen free
- temperature resistance: -40 °F to 200 °F constant, +270 °F peak

Part No.	G	L	Pack 1	Pack 2
610 1 063	1/4"	1.2"	50	500

