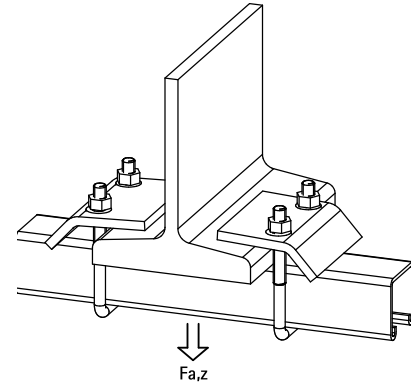


BIS Strut Rail Beam Clamp

(H 36 05)

to make Strut rail fabrications



Features and benefits

- for a solid fixing to steel beams and columns without welding or drilling
- always use 2 beam clamps per fixing
- material: steel 1.0332
- hot dip galvanized

Part No.	A (")	L (mm)	B (mm)	H (mm)	s (mm)	For Rail	Fa,z (lbs)	Pack 1
6658 1 711	3/4	69 mm	80	90	5.5	Strut 1 5/8"x13/16" + 1 5/8"x1 5/8"	1,280	25

Also available in stainless steel 1.4401 (AISI 316).

