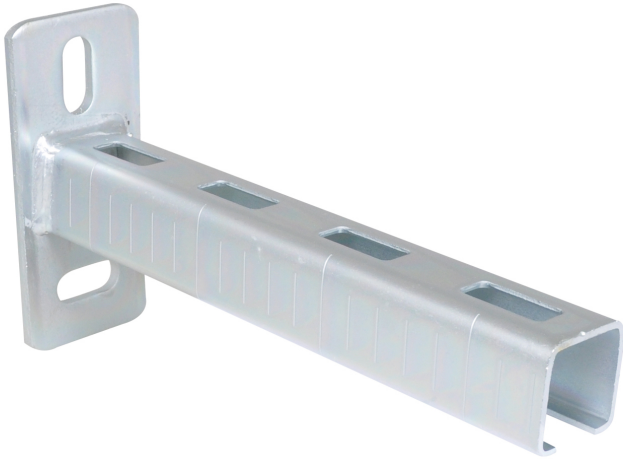


BIS RapidRail® Cantilever Arm (BUP1000)

(G 10 05)

fixing to wall or ceiling

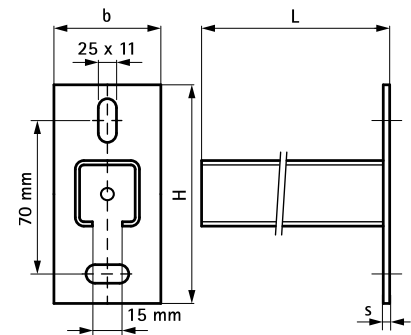


Features and benefits

- wall plate with welded C-profile
- also perfectly suitable for hanging to the ceiling
- slots at 90° to each other to simplify fixing
- CO₂ welded
- continuous graduated centimeter scale on one side
- unique perforation on rail WM15 allows for hanging on both sides
- material: steel
- surface protection:
 - product is part of the BIS UltraProtect® 1000 system
 - suitable for in and outdoor applications
 - stands min. 1,000 hours salt spray test (max. 5% red rust) according to ISO 9227

Part No.	L	H (*)	From Rail	Pack 1
660 3 725	10"	4.3	WM15 - 30x20	20
660 3 230	12"	4.3	WM2 - 30x30	10
660 3 250	20"	4.3	WM2 - 30x30	20

For more information about the max. allowed load ($F_{a,z}$) please refer to the loading tables or our online datasheet 'Technical Details BIS RapidRail®'.



Complementary
BIS Rail End Cap