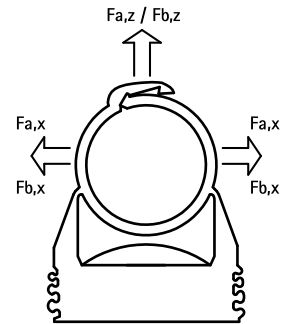
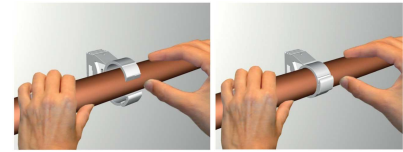


# starQuick® Clamp – M6 (Grey)

(C 05 15)

to fix pipes for electrical and mechanical installations to wall, floor or ceiling 12 - 55 mm



## Features and benefits

- one-part clamp
- clamp closes by applying pressure to the pipe
- for outdoor use and installations in swimming pool environments, chemical factories, zinc factories, etc.
- due to a patented profile it is possible to tack several clamps to each other
- with pre-assembled connection nut M6
- material: modified PA6 (polyamide), grey (according to RAL 7035)
- resistant to UV, ageing, oil and petrol
- no corrosion, recyclable, halogen free
- temperature resistance from approx. -40 °C to approx. +90 °C (constant); short to approx. +130 °C

**kiwa**

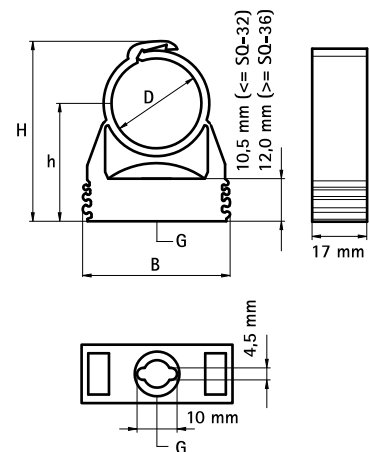


Part No.	D (mm)	D (")	DN	G (mm)	B (mm)	H (mm)	h (mm)	F <sub>a,z</sub> (N)	F <sub>b,z</sub> (N)	KIWA	UL	UPC	Pack 1	Pack 2
0854612	12 - 14	1/4	8	M6	29	34	23	180	550	KIWA	UL	UPC	100	1,200
0854615	14 - 16	-	-	M6	29	36	24	200	600	KIWA	UL	UPC	100	1,200
0854618	16 - 20	3/8	10	M6	29	40	26	230	700	KIWA	UL	UPC	100	800
0854622	20 - 23	1/2	15	M6	29	44	27	270	800	KIWA	UL	UPC	50	600
0854628	24 - 28	3/4	20	M6	40	50	31	280	850	KIWA	UL	UPC	50	600
0854631	28 - 32	-	-	M6	40	53	32	300	900	KIWA	UL	UPC	50	400
0854635	32 - 35	1	25	M6	43	57	34	330	1,000	KIWA	UL	UPC	50	400
0854638	35 - 40	-	-	M6	47	66	41	330	1,000	KIWA	UL	UPC	25	300
0854642	40 - 44	1 1/4	32	M6	52	70	42	330	1,000	KIWA	UL	UPC	25	200
0854654	48 - 55	1 1/2	40	M6	63	81	47	330	1,000	-	UL	UPC	15	180

$$F_{a,x} = F_{a,z} / F_{b,x} = F_{b,z}$$

Maximum allowed load at a temperature of +21 °C (+70 °F) and fixing with M6 BIS starQuick® nut + M6 steel threaded rod.

The values are recommended values and based on our nowadays technical knowledge, experience and statements in the literature as well as testing under laboratory circumstances. They do not relieve the user of own testing of the end product due to the big number of parameter of influence in the mounting process and the application. A legal confirmed assurance of properties or the suitability for a specific application cannot be based on our specifications.



## Complementary

Walraven Fastenings  
starQuick® Push Plug