

Walraven Yeti® 335 Support System

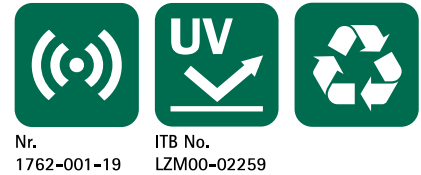
(10410)

for Rooftop Installations



Features and benefits

- modular supporting system for HVAC equipment, solar panels, walkways, pipe work, cable runs, etc.
- for flat roofs
- for horizontal and vertical applications
- 360° rotatable insert for BIS RapidStrut® 41x41 or BIS RapidStrut® DS 5 (41x52 mm)
- with non-slip anti-vibration mat
- noise reduction according to DIN EN ISO 10140-1 and DIN EN ISO 10140-3 up to 31 dB(A)
- UV-resistance according to EN ISO 16474-3:2014-02 - certified by ITB
- mouldings made of WPC, a composite of recycled plastic and wood fibre
- resistant to UV and chemical influences
- BIS Yeti 335 H-set consisting of:
 - 2 x BIS Yeti® 335 including non-slip anti-vibration mat (made of rubber)
 - 4 x BIS Strut Connector 90°
 - 8 x hexagon head bolts and slide nuts



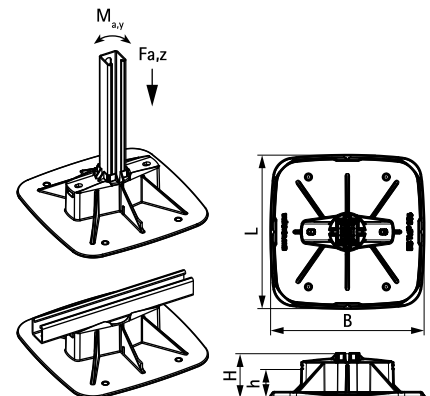
Part No.	Model	L	B	H	h	F _{a,z} (N)	F _{a,z 2} (N)	M _{a,y} (Nm)	Pack 1	Pack 2
			(mm)	(mm)	(mm)					
67685201	Vertical	335 mm	335	96	20	20,000*	30,000**	200.0	1	90
67685302	H-set (without Strut Rail)	335 mm	335	-	-	20,000*	30,000**	200.0	1	32

* = Maximum allowed load for Strut 41x41x2.5.

** = Maximum allowed load for Strut 41x51x2.0 - DS5.

For a detailed calculation and for support how to spread the load please contact Walraven Technical Support.

In cases where a foot is used in roof applications, the installer is obliged to verify maximum load capacity of roof before installation.



Complementary

Walraven Yeti® 335 Hinge (BUP1000)

Alternative

Walraven Yeti® 130 Support System