

Walraven Yeti[®] 280 Support System

(1 04 30)

for Rooftop Installations



Features and benefits

- modular supporting system for HVAC equipment, solar panels, walkways, pipe work, cable runs, etc.
- for flat roofs
- for vertical rail adaption (RapidStrut 41x41)
- with non-slip anti-vibration mat
- mouldings made of WPC, a composite of recycled plastic and wood fibre
- plastic components made from 100% recycled material
- noise reduction according to DIN EN ISO 10140-1 and DIN EN ISO 10140-3
- UV-resistance according to EN ISO 16474-3:2014-02 - certified by ITB
- Part No. 67685303 consisting of:
 - 2 x BIS Yeti[®] 280 including non-slip anti vibration mat (made of rubber)
 - 4 x BIS Strut Connector 90°
 - 8 x hexagon head bolts and slide nuts



ITB No.
LZM00-02259

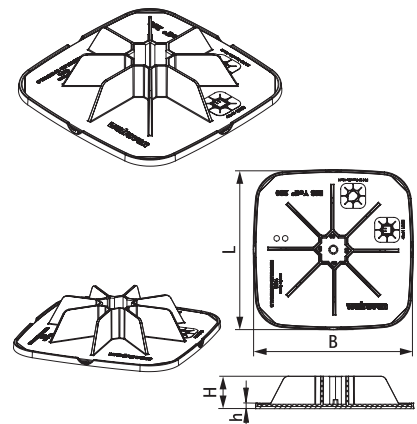
Part No.	Model	L	B	H	h	F _{a,z} (N)	Pack 1
			(mm)	(mm)	(mm)		
67685281	Yeti [®] 280 including mat	284 mm	284	58	14	12,500*	12
67685280	Yeti [®] 280 including mat**	284 mm	284	58	8	12,500*	12
67685303	H-set (without Strut Rail)	284 mm	284	-	8	12,500*	1

* = Max. allowed load without taking influence of insulation into account, using RapidStrut[®] channel type 41|H

For a detailed calculation and for support how to spread the load please contact Walraven Technical Support.

In cases where a foot is used in roof applications, the installer is obliged to verify maximum load capacity of roof before installation.

** Discontinued model, new article number 67685281 from February/March 2025.



Complementary

Walraven RapidStrut[®] Channel (BUP1000)