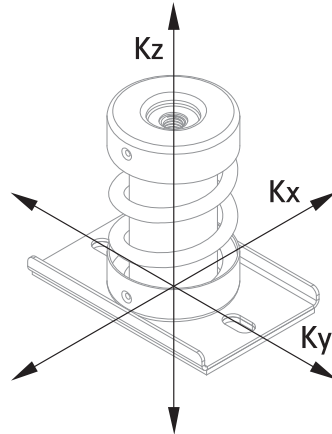


Walraven VibraTek® MS-1X Spring Mount

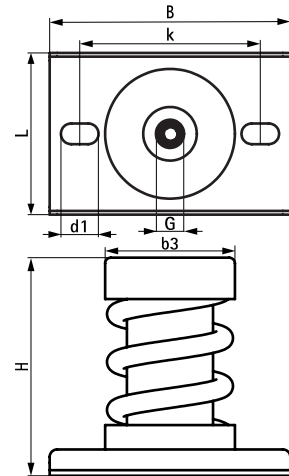
(L2 05 09)

high performance spring isolator for medium to heavy equipment



Features and benefits

- recommended for equipment with low working speeds, from 600 rpm and above
- epoxy powder-coated base, caps and springs provide increased resistance to corrosion
- flexible internal filler prevents debris and solid elements entering and damaging the spring under load
- Technical Data
 - average ratio $K_x / K_z = K_y / K_z = 0.7$
- working temperature range -90 °C till 150 °C
- ribs in the metal base provide increased stiffness
- slot holes facilitate positioning and anchoring to the base material



Part No.	G	L	B	b3	H	d1	k	Min. Load (N)	Max. Load (N)	Min. Optimal Load (N)	Max. Optimal Load (N)	Max. Deflection (mm)	Pack 1
2800401250	M12	86 mm	128	69	116	20 x 11	96	130	1,250	250	1,150	25.0	20
2800401500	M12	86 mm	128	69	116	20 x 11	96	150	1,500	300	1,380	25.0	20
2800402000	M12	86 mm	128	69	116	20 x 11	96	200	2,000	400	1,840	25.0	20
2800403000	M12	86 mm	128	69	116	20 x 11	96	300	3,000	600	2,760	25.0	20
2800404000	M12	86 mm	128	69	116	20 x 11	96	400	4,000	800	3,680	25.0	20
2800405000	M12	86 mm	128	69	116	20 x 11	96	500	5,000	1,000	4,600	25.0	20
2800406000	M12	86 mm	128	69	116	20 x 11	96	600	6,000	1,200	5,520	25.0	20

See Product Data Sheet for further technical information.