

# Walraven VibraTek® MR-L 8000/M16

## Rubber Levelling Mount

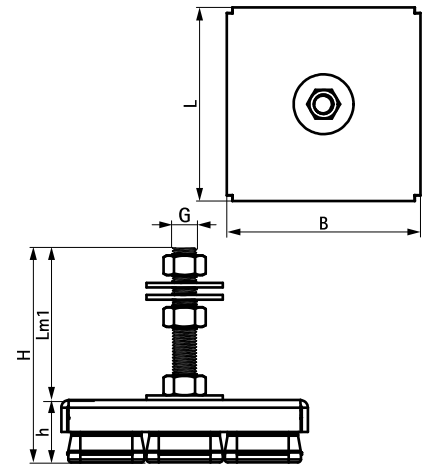
(L2 05 27)

rubber mount with M16 connection for equipment isolation and levelling



### Features and benefits

- recommended for machinery with working speeds above 2500 RPM, providing a degree of vibration insulation from 75% to 80%
- simple to install and does not need to be fixed to the supporting structure
- working temperature range -20 °C till 90 °C
- rubber isolator with DIN 934 nuts and DIN 9012 washers included in delivery for mounting and levelling equipment
- metal and rubber parts can be separated for recycling
- hardness 45 shore A



| Part No.   | G   | L      | B    | H    | h    | Lm1  | Min. Load | Max. Load | Min. Optimal Load | Max. Optimal Load | Max. Deflection | Pack 1 |
|------------|-----|--------|------|------|------|------|-----------|-----------|-------------------|-------------------|-----------------|--------|
|            |     |        | (mm) | (mm) | (mm) | (mm) | (N)       | (N)       | (N)               | (N)               | (mm)            |        |
| 2800108000 | M16 | 162 mm | 162  | 141  | 41   | 100  | 500       | 8,000     | 1,000             | 7,500             | 7.5             | 6      |

*See Product Data Sheet for further technical information.*