

Walraven VibraTek® MR-L 5000/M12 Rubber Levelling Mount

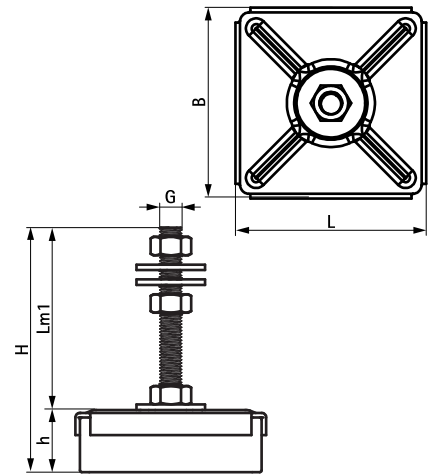
(L2 05 24)

rubber mount with M12 connection for equipment isolation and levelling



Features and benefits

- recommended for machinery with working speeds above 2500 RPM, providing a degree of vibration insulation from 75% to 80%
- simple to install and does not need to be fixed to the supporting structure
- working temperature range -20 °C till 90 °C
- rubber isolator with DIN 934 nuts and DIN 9012 washers included in delivery for mounting and levelling equipment
- metal and rubber parts can be separated for recycling
- hardness 45 shore A



Part No.	G	L	B	H	h	Lm1	Min. Load	Max. Load	Min. Optimal Load	Max. Optimal Load	Max. Deflection	Pack 1
			(mm)	(mm)	(mm)	(mm)	(N)	(N)	(N)	(N)	(mm)	
2800105000	M12	103 mm	103	132	32	100	125	5,000	700	4,500	4.5	25
See Product Data Sheet for further technical information.												