

Walraven Strut T-Bracket

(H 12 50)

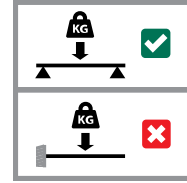
fixing to wall



6658 3 801

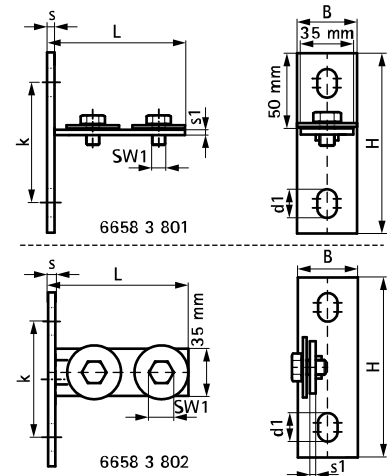


6658 3 802



Features and benefits

- quick installation
- ideal for fastening RapidStrut® Fixing Rails as traverses in shafts or racks
- suitable for rails type 21, 41 or 21 Double
- with pre-assembled screws M10x16mm / SW17 and washers 10,5x40mm
- zinc plated
- material: steel 1.0332



Part No.	Model	L	B	H	s	s1	d1	k	T(inst.)	F _{a,y}	F _{a,y2}	F _{a,x}	F _{a,x 2}	Pack 1
		(mm)	(mm)	(mm)	(mm)	(mm)	(mm)	(mm)	(Nm)	(N)	(N)	(N)	(N)	
66583801	Horizontal	104 mm	40	120	5.0	4.0	19 x 13	80	15.0	4,280*	9,880**	1,760*	1,980**	25
66583802	Vertical	104 mm	40	120	5.0	4.0	19 x 13	80	15.0	4,280*	9,880**	1,760*	1,980**	25

* F_{a,y} and F_{a,x} fixed on rail type L (1,5mm thickness) with M12 and 25Nm.

** F_{a,y2} and F_{a,x2} fixed on rail type H (2,5mm thickness) with M12 and 35Nm.