

# Walraven RapidStrut® Slide Nut with Plastic Tabs (BUP1000)

(H 24 35)



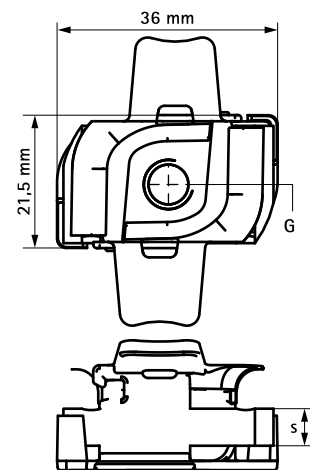
## Features and benefits

- slide nut with plastic 'tabs'
- for all types of Strut Rail
- for tight fixing of accessories (e.g. connectors) on rail
- with plastic tabs which simplifies inserting and positioning
- material: slide nut made of steel 1.0332; tabs made of PP (polypropylene), green
- surface protection:
  - product is part of the Walraven BIS UltraProtect® 1000 system
  - suitable for in- and outdoor applications
  - stands min. 1,000 hours salt spray test (max. 5% red rust) according to ISO 9227
- tested for fire safety



Part No.	G	s (mm)	T <sub>(inst.)</sub> (Nm)	For Rail	F <sub>a,z</sub> (N)	F <sub>a,x</sub> (N)	Pack 1
651868006	M6	5.0	7.0	Strut	2,660	950	100
651868008	M8	6.0	25.0	Strut	4,500	2,200	100
651868010	M10	8.0	40.0	Strut	5,000	2,550	100
651868012	M12	9.0	50.0	Strut	5,000	2,950	100

M10 tested for fire safety according to EN 1366-1.  
 M12 tested for fire safety according to EN 1366-1.  
 Tested values in combination with BIS RapidStrut® Rail 41x41x2.5mm.  
 More details can be found on the Technical Datasheet.



## Complementary

Walraven RapidStrut® Fixing Rail DS 5  
(BUP1000)  
 Walraven RapidStrut® Cantilever Arm  
(BUP1000)

## Alternative

Walraven Strut Slide Nut (BUP1000)