

Walraven RapidStrut® Rail T- and X-Connector G2 (BUP1000)

(H 28 109)

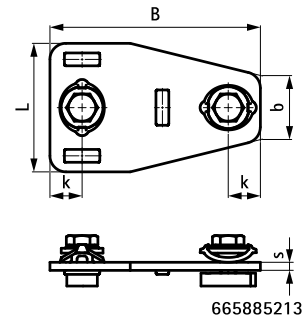
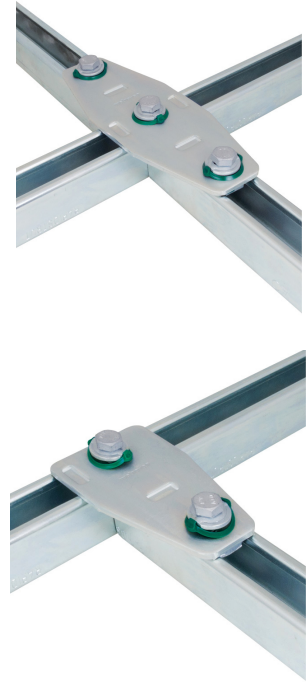


6658 8 5223

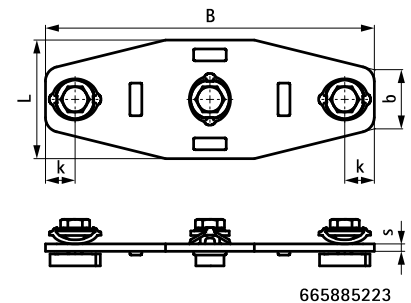
6658 8 5213

Features and benefits

- connector with pre-assembled BIS RapidStrut® Slide nut(s)
- to make fabrication with Strut Rail
- ready-to-use pre-assembled for a quick fixing, and retains assembly in place before final tightening
- 'Direct Twist' technology for easy and secure installation
- visual guide to check the position of the slide nut
- optimized for easy installation with electrical tools
- material: metal parts made of steel 1.0332; spring(s) made of POM (polyoxymethylene), green
- surface protection:
 - product is part of the Walraven BIS UltraProtect® 1000 system
 - suitable for in- and outdoor applications
 - stands min. 1,000 hours salt spray test (max. 5% red rust) according to ISO 9227



665885213



665885223

Part No.	Type	G	L	B	b	s	k	T _(inst.) (Nm)	For Rail	Pack 1
665885213	T	M10	80 mm	131	40	5	20	40.0	Strut	20
665885223	X	M10	80 mm	222	40	5	20	40.0	Strut	15

Complementary

Walraven RapidStrut® Fixing Rail DS 5
(BUP1000)