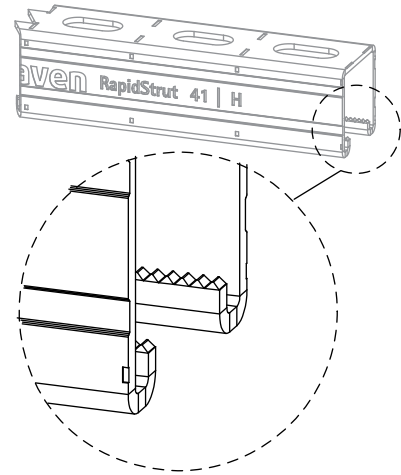
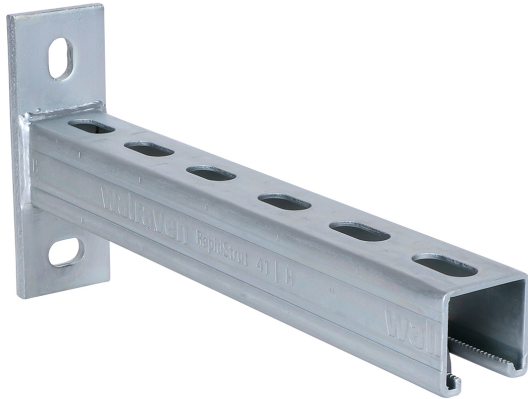


# Walraven RapidStrut® Cantilever Arm (BUP1000)

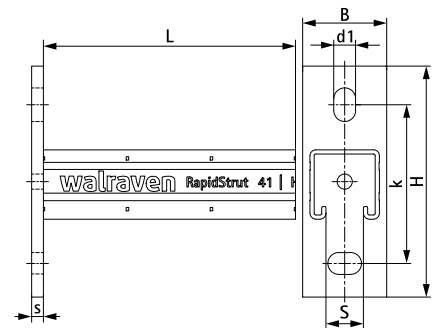
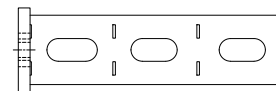
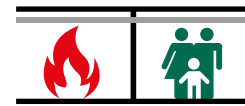
(H 08 06)

fixing to wall, floor or ceiling



## Features and benefits

- base plate with welded C-profile
- for quick and adjustable fixing of one or multiple pipes
- CO<sub>2</sub> welded
- with continuous perforation
- with sawing marks each 50 mm on all 3 sides of the profile
- well balanced relation between base plate and profile for optimal use of load performance
- material: profiles made of steel 1.0038 (S235JR)
- material: base plate type 21 | H made of steel 1.0044 (S275JR)
- material: base plate type 41 | M and 41 | H made of steel 1.0045 (S355JR)
- surface protection:
  - product is part of the Walraven BIS UltraProtect® 1000 system
  - suitable for in- and outdoor applications
  - stands min. 1,000 hours salt spray test (max. 5% red rust) according to ISO 9227
- strut type 41 | H and above tested for fire safety according to EN 1366-1
- for more information about the max. allowed load ( $F_{a,z}$ ) please refer to the loading tables or our online datasheet 'Walraven RapidStrut® Data Sheet'



Part No.	Type	L	B	H	s	d1	S	k	Pack 1
			(mm)	(mm)	(mm)	(mm)	(mm)	(mm)	
66082120	21   H	200 mm	50	110.0	5.0	18 x 11	22	70	10
66082130	21   H	300 mm	50	110.0	5.0	18 x 11	22	70	10
66082145	21   H	450 mm	50	110.0	5.0	18 x 11	22	70	20
66082160	21   H	600 mm	50	110.0	5.0	18 x 11	22	70	10
66084030	41   M	300 mm	50	137.5	7.0	20 x 13	22	95	10
66084045	41   M	450 mm	50	137.5	7.0	20 x 13	22	95	10
66084060	41   M	600 mm	50	137.5	7.0	20 x 13	22	95	8
66084115	41   H	150 mm	50	137.5	7.0	20 x 13	22	95	10
66084120	41   H	200 mm	50	137.5	7.0	20 x 13	22	95	10
66084130	41   H	300 mm	50	137.5	7.0	20 x 13	22	95	10
66084140	41   H	400 mm	50	137.5	7.0	20 x 13	22	95	10
66084145	41   H	450 mm	50	137.5	7.0	20 x 13	22	95	10
66084150	41   H	500 mm	50	137.5	7.0	20 x 13	22	95	10
66084160	41   H	600 mm	50	137.5	7.0	20 x 13	22	95	8
66084175	41   H	750 mm	50	137.5	7.0	20 x 13	22	95	8
66084198	41   H	1,000 mm	50	137.5	7.0	20 x 13	22	95	1
66084199	41   H	1,200 mm	50	137.5	7.0	20 x 13	22	95	1

For more information about the max. allowed load ( $F_{a,z}$ ) please refer to the loading tables or our online datasheet 'Walraven RapidStrut® Data Sheet'.

### Complementary

- Walraven Strut Slide Nut (BUP1000)
- Walraven Strut Rail End Cap
- Walraven Strut Rubber Strip

### Complementary

- Walraven Rail Prop (BUP1000)
- BIS Expansion Device