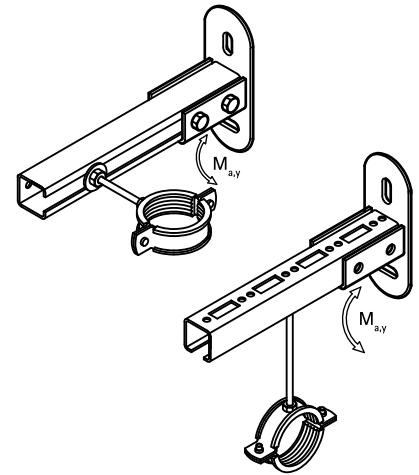


Walraven RapidRail® Stainless Steel Wall Plate

(M 27 10)

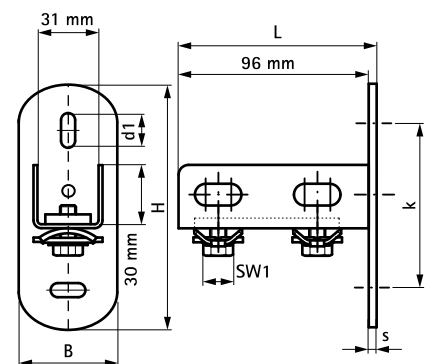
fixing to wall, floor or ceiling



Features and benefits

- flexible base plate for rails
- for fixing to wall, floor or ceiling
- rail can be fixed with slot downwards or sideways
- suitable for rail 30x15, 30x20, 30x30
- with pre-assembled BIS RapidRail® Sliding nut(s) for a quick fixing, and retains assembly in place before final tightening
- material: stainless steel 1.4401/1.4404 (A4) – EN10088, AISI 316/316L; spring(s) made of of POM (polyoxymethylene), blue (according to RAL 5015)

Part No.	L	B	H	s	d1	k	SW1	T _(inst.)	F _{a,z}	Pack 1
		(mm)	(mm)	(mm)	(mm)	(mm)	(mm)	(Nm)	(N)	
6617210	100 mm	50	123	4.0	25 x 11	83	13	15.0	2,850	25



Complementary

Walraven RapidRail® Stainless Steel Fixing
 Rail
 WTb1 Throughbolt Anchor SSt
 Wd11 Drop-in Anchor SSt