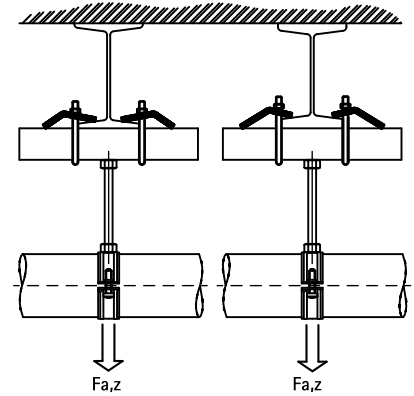


Walraven RapidRail® Beam Clamp

(G 40 05)

fixing to steel beam



Features and benefits

- for a solid fixing to steel construction
- material: steel
- without the need for welding or drilling
- zinc plated
- always use 2 beam clamps per fixing

Part No.	A (mm)	G	L	B (mm)	H (mm)	b (mm)	s (mm)	T _(inst.) (Nm)	For Rail	F _{a,z} (N)	Pack 1
6585011	< 16	M6	45 mm	50	75	31	4.0	15.0	27x18, 30x15, 30x20, 30x30, 30x45, 38x40	2,500	50
6585014	< 20	M8	60.9 mm	80	100	44	4.0	15.0	38x40	2,500	50

Note! Safe load (F_{a,z}) is only per set of beamclamps, per loading situation the max. allowed load of the rail must be calculated.

