

# Walraven Rail Prop (BUP1000)

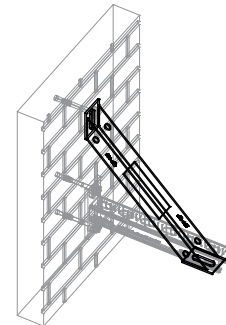
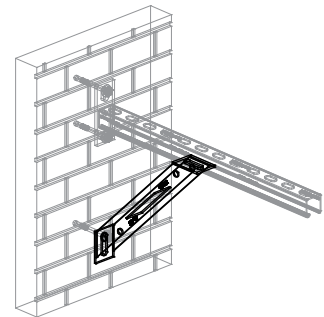
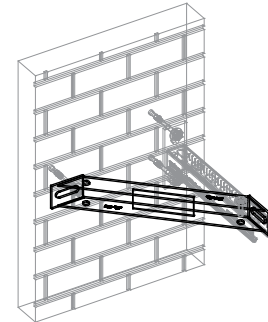
(H 16 05)

reinforcement of cantilever arm

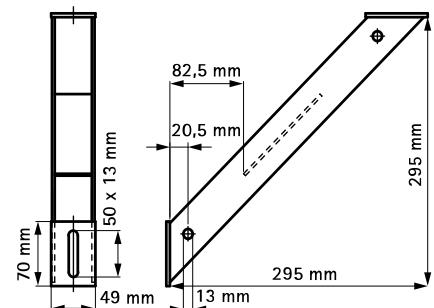


## Features and benefits

- 45° support bracket
- for fixing support under, top or on side of a cantilever arm
- also used to strengthen rail constructions
- CO<sub>2</sub> welded
- material: steel 1.0332
- surface protection:
  - product is part of the Walraven BIS UltraProtect® 1000 system
  - suitable for in- and outdoor applications
  - stands min. 1,000 hours salt spray test (max. 5% red rust) according to ISO 9227



Part No.	For Rail	Pack 1
66288530	Strut + 38x40	10



## Complementary

Walraven RapidStrut® Fixing Rail DS 5 (BUP1000)