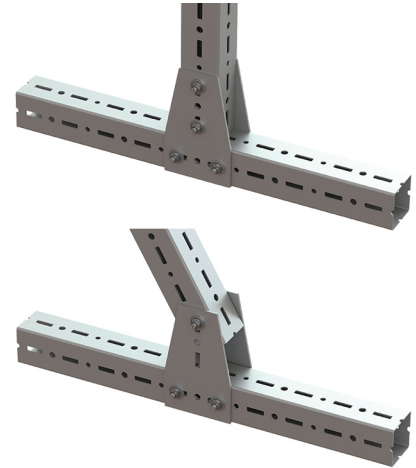
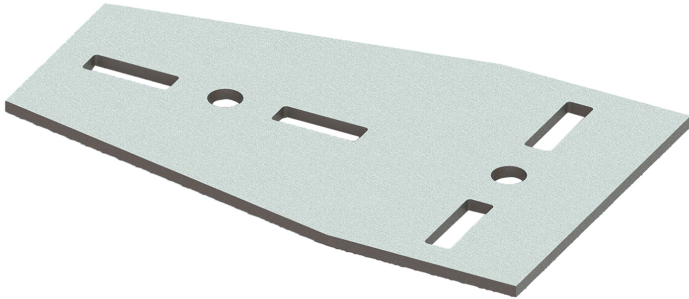


Walraven Maxx T-Connector

(H2 05 36)

to make Maxx rail fabrications

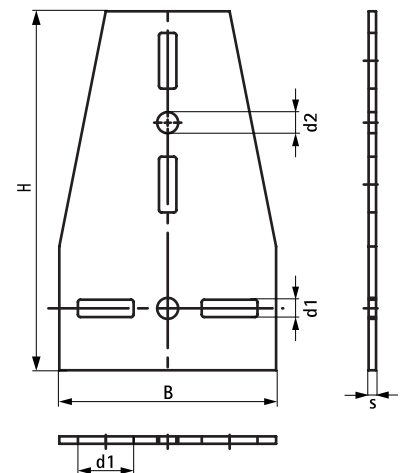


Features and benefits

- T-connector for Maxx profiles
- advised to use from both sides always
- can also be used to strengthen Maxx constructions with a joint connection
- material: steel S235JR
- hot dip galvanized

Part No.	Type	B (mm)	H (mm)	s (mm)	d1 (mm)	d2 (mm)	F _{a,x} (N)	F _{a,x 2} (N)	Pack 1
6589119	TC80	175	270	5	45 x 14	17	5,000*	8,250**	-
6589911	TC100	175	290	6	45 x 14	17	5,000*	8,250**	-

* = When using the connector with 1 pc. Maxx Hammerfix (65219214)
 ** = When using the connector with 2 pcs. Maxx Hammerfix (65219214)



Complementary

Walraven Maxx Heavy Rail Profile
 Walraven Maxx Hammerfix