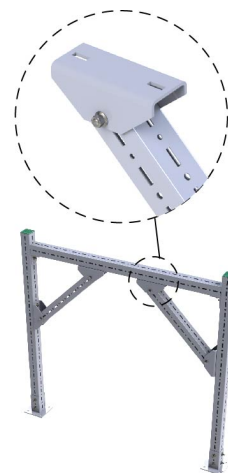
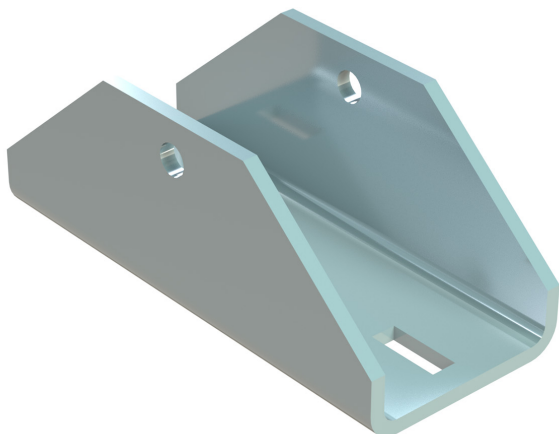


# Walraven Maxx Hinged Connector

(H2 05 20)

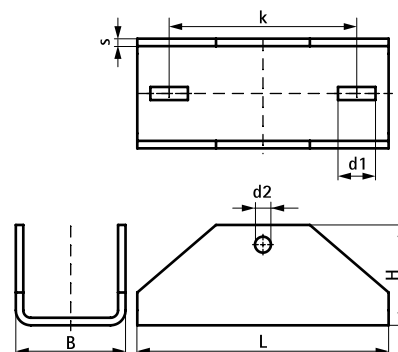
for hinged connections with Maxx profiles



## Features and benefits

- U-shaped plate for hinged connections made from Maxx Profiles 100x100 (MX100)
- applicable as bracing element for Maxx Profile constructions
- to be used in combination with profiles MX100 and Bolt Set M16x140mm (Part No. 614581614, to be ordered separately)
- material: steel 1.0044 (S275JR)
- hot dip galvanized

Part No.	L	B	H	s	d1	d2	k	For Rail	F <sub>a,z</sub> (N)	Pack 1	App.
6581815	268 mm	117 (mm)	107 (mm)	8 (mm)	40x14 (mm)	17 (mm)	200 (mm)	MX100	14,100	1	pc.



## Complementary

- Walraven Maxx Heavy Rail Profile
- Walraven Maxx Hammerfix
- Walraven Maxx Bolt Set (ZFC)