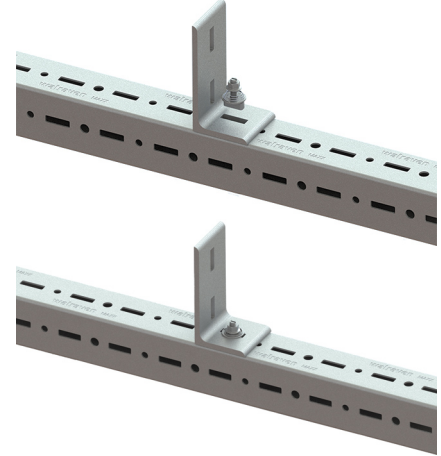
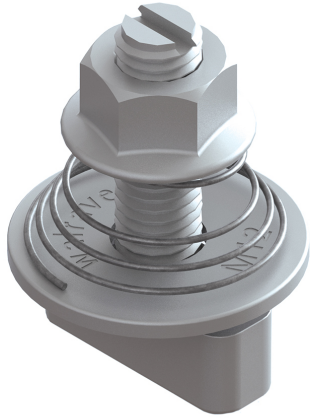


## Walraven Maxx Hammerfix

(H2 05 26)

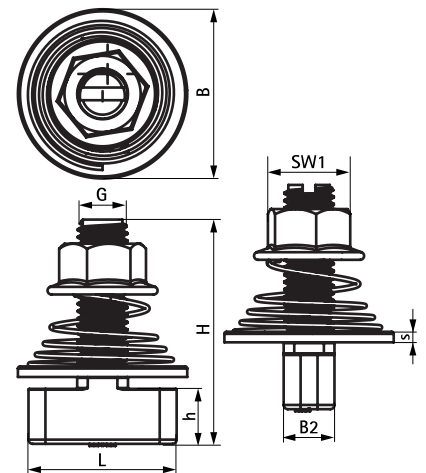
for fixing to Maxx Heavy Rail Profiles



### Features and benefits

- form-locking connector
- retains assembly in place before final tightening
- pre-assembled and ready to use for a quick fixing in profile perforation by a push and 90° turn
- with visible mark on top to see the position of hammer end
- with square shaft to block in the profile hole pattern when tightening
- material: steel, strength class 8.8; spring made of stainless steel (AISI 316)
- hot dip galvanized

Part No.	Type	G	L	B	B2	H	h	s	SW1	T <sub>inst</sub> (Nm)	F <sub>a,z</sub> (N)	F <sub>a,x</sub> (N)	Pack 1
65219214	HF	M12	35	40	12	53	12.8	2.5	19	75.0	14,500	5,000	25



### Complementary

Walraven Maxx Heavy Rail Profile  
Walraven Maxx Base Plate  
Walraven Maxx Profile Connector 90°

### Complementary

Walraven Maxx T-Connector  
Walraven Maxx Linear Connector Set  
Walraven Maxx U-Shape Bracket