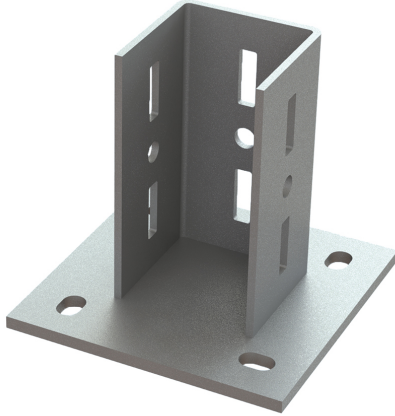


## Walraven Maxx Base Plate

(H2 05 11)

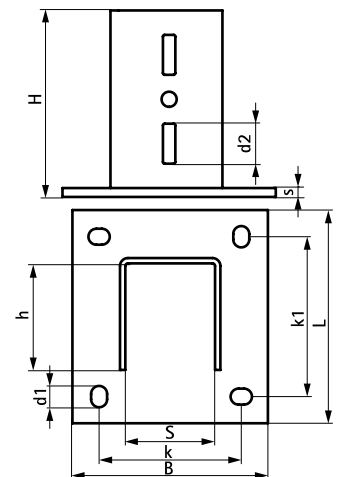
to connect Maxx profiles to wall, floor or ceilings



### Features and benefits

- U-saddle welded on large base plate
- for connecting Maxx profiles to wall, floor or ceiling
- slots are compatible with mounting profiles
- CO<sub>2</sub> welded
- material: base plate made of steel (type S275); U-part made of steel (type S235)
- hot dip galvanized

Part No.	Type	L	B	H	h	s	d1	d2	S	k	k1	Pack 1
		(mm)	(mm)	(mm)	(mm)	(mm)	(mm)	(mm)	(mm)	(mm)	(mm)	
6581818	BP80	185 mm	185	210	80	10.0	25 x 14	45 x 14	81	130	130	-
6581820	BP100	220 mm	220	210	100	10.0	24 x 18	45 x 14	101	160	160	-
6581821	BP120	240 mm	220	210	120	10.0	24 x 18	45 x 14	101	160	180	-



### Complementary

Walraven Maxx Heavy Rail Profile  
Walraven Maxx Hammerfix