

# WSA1 Shield Anchor

(L 03 35)

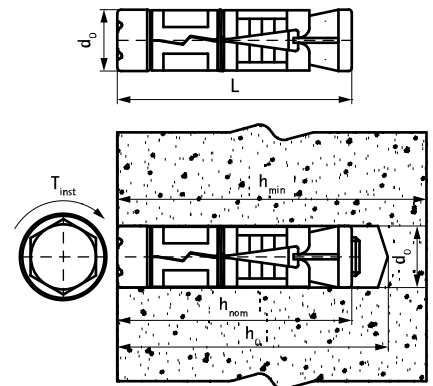
heavy duty expansion anchor



## Features and benefits

- three-part expanding sleeve provides optimal load and safety of use in many substrates
- for use with metric threaded rods or bolts
- suitable for use in multiple base materials
- material: steel
- zinc plated
- substrate type:
  - concrete
  - hollow masonry
  - natural stone

Part No.	Code	Size	L	d <sub>0</sub> (mm)	h <sub>0</sub> (mm)	h <sub>min</sub> (mm)	h <sub>nom</sub> (mm)	Pack 1
6103608	WSA1 8x50	M8	50 mm	14	≥ 55	100.0	50	100
6103610	WSA1 10x60	M10	60 mm	16	≥ 65	100.0	60	100
6103612	WSA1 12x75	M12	75 mm	20	≥ 85	100.0	80	50
6103616	WSA1 16x115	M16	115 mm	25	≥ 125	142.5	120	25



### Complementary

- WIS Brush
- WIS Blow Pump
- WSDS+ 3CE Concrete Drill Bit

### Complementary

- WSDS+ HB Hollow Block Drill Bit