

# WRX Plastic Plug

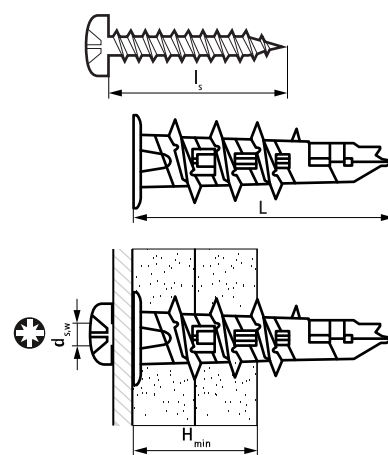
plastic self-drilling anchor

(L 07 35)



## Features and benefits

- self-drilling
- back twist lock allows screw removal without movement of the plug
- sharp tip allows accurate positioning and installation
- Application:
  - interior decorations
  - electrical fittings
- material: PA (polyamide) with fiber-glass reinforcement
- substrate type: plasterboard



Part No.	Code	L	d <sub>s,w</sub> (mm)	l <sub>s</sub> (mm)	h <sub>min</sub> (mm)	Drive	Rec. Tension Load Plasterboard (h=12.5mm) (kN)	Pack 1	Pack 2
6229904	WRX PP 14x32	32 mm	4.5	30	12.5	PZ2	0.09	100	2,400

*Given recommended loads include a safety factor of 3.*