

WHC Hollow Core Anchor

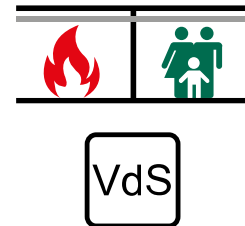
(L 03 81)

for hollow core concrete slabs

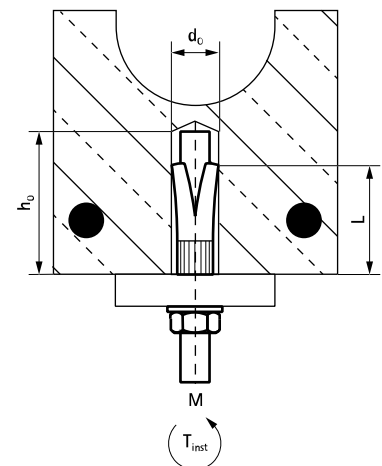


Features and benefits

- designed specifically for use in precast pre-stressed hollow core concrete slabs
- fire resistance class R30-R120 for design of anchorages under exposure to fire
- very high load capacity



Part No.	Code	Thread (M)	L	d ₀ (mm)	h ₀ (mm)	T _{inst} (Nm)	Pack 1
6096408	WHC	M8	44 mm	12	55	20	50
6096410	WHC	M10	53 mm	16	60	30	50
6096412	WHC	M12	58 mm	18	70	40	25



Complementary
 Walraven Threaded Rod
 BIS Hexagon Nut
 WIS Threaded Rod