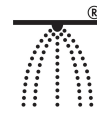
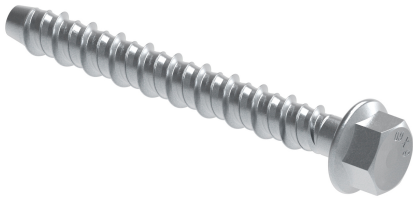


W-LX-H Concrete Screw

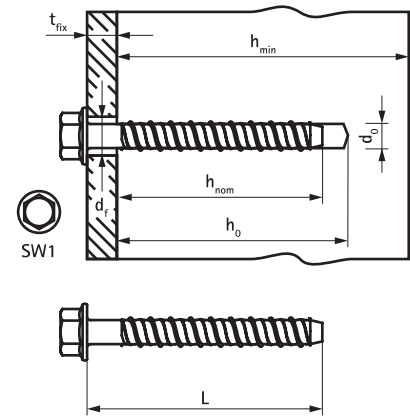
(L 03 55)

ultimate performance zinc-plated concrete screws for anchoring in cracked and non-cracked concrete



Features and benefits

- very high load capacity
- up to 3 anchoring depths provide maximum installation and design flexibility
- reduced edge and anchor spacing distances
- unique tip and thread geometry prevents concrete spalling
- material: steel
- zinc plated
- fire resistance class R30-R120
- seismic performance categories C1 and C2 (Ø 8/10/14)
- complies with VdS CEA 4001:2014-04 (05) and VdS CEA 4001:2018-01 (06) for applications with sprinkler systems in concrete elements
- substrate type:
 - cracked concrete / non-cracked concrete
 - precast pre-stressed hollow core slabs



Part No.	L	d ₀	h ₀	h _{min,max}	h _{nom}	t _{fix,max}	SW1	Rec. Tension Load C20/25 Uncracked Concrete (kN)	Rec. Tension Load C20/25 Cracked Concrete (kN)	ETA	Pack 1
62430304	40 mm	6	45/50	80	35/39	5/1	SW10	1.42/2.85**	1.42/2.85**	ETA-21/0613*	100
62430306	60 mm	6	50/65	100	43/55	17/5	SW10	4.24/5.71**	2.97/3.33**	ETA-21/0612*	100
62430308	75 mm	6	50/65	100	43/55	32/20	SW10	4.24/5.71**	2.97/3.33**	ETA-21/0612*	100
62430406	60 mm	8	60	100	50	10	SW13	5.05**	3.33**	ETA-21/0612*	100
62430408	75 mm	8	60/80	100/110	50/70	25/5	SW13	5.06/9.03**	3.33/6.16**	ETA-21/0612*	100
62430409	90 mm	8	60/80	100/110	50/70	40/20	SW13	5.06/9.03**	3.33/6.16**	ETA-21/0612*	100
62430410	100 mm	8	60/80	100/110	50/70	50/30	SW13	5.06/9.03**	3.33/6.16**	ETA-21/0612*	100
62430412	120 mm	8	60/80	100/110	50/70	70/50	SW13	5.06/9.03**	3.33/6.16**	ETA-21/0612*	50
62430507	65 mm	10	65	100	55	10	SW15	5.93**	3.8**	ETA-21/0612*	50
62430509	90 mm	10	65/95	100/130	55/85	35/5	SW15	5.93/12.28**	3.8/8.59**	ETA-21/0612*	50
62430510	100 mm	10	65/95	100/130	55/85	45/15	SW15	5.93/12.28**	3.8/8.59**	ETA-21/0612*	50
62430512	120 mm	10	65/95	100/130	55/85	65/35	SW15	5.93/12.28**	3.8/8.59**	ETA-21/0612*	25
62430608	75 mm	12	70	110	60	15	SW16	6.38**	3.33**	ETA-21/0612*	50
62430610	100 mm	12	70	110	60	40	SW16	6.38**	3.33**	ETA-21/0612*	50
62430713	135 mm	14	85/130	110/190	75/120	60/15	SW19	9.3/20.67**	6.19/14.43**	ETA-21/0612*	20

*Performance and installation data is given for the specified European Technical Assessment. For full product data please refer to product data sheets. ETA-21/0612 according to EAD 330232-00-0601 anchoring in cracked and non-cracked concrete; ETA-21/0613 according to EAD 330747-00-0601 for multiple use for non-structural applications.

**Recommended load includes a partial safety factor and an overall partial safety factor for action of 1.4. The partial safety factor for action depends on the type of loading and shall be taken from national regulations. All anchor failure modes and the entire relevant product European Technical Assessment must be considered for anchor design.