

# Spiral Duct Clamp with Lining

(F05 06)

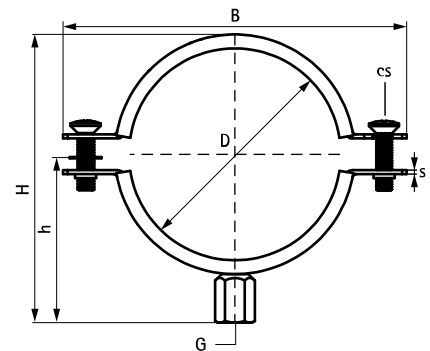
for spiral ducts 80 - 630 mm



## Features and benefits

- two-screw clamp
- with quick lock
- material: steel
- zinc plated
- sound insulating lining according to DIN 4109
- sound insulating lining of aging resistant EPDM rubber, black

Part No.	D (mm)	G	B (mm)	H (mm)	h (mm)	b x s (mm)	cs	F <sub>a,z</sub> (N)	Pack 1
4103080	80	M8/10	125	109	57	20 x 1.50	M6	500	40
4103100	100	M8/10	149	129	67	20 x 1.50	M6	500	30
4103125	125	M8/10	180	154	78	20 x 1.50	M6	500	25
4103140	140	M8/10	189	169	86	20 x 1.50	M6	500	35
4103150	150	M8/10	202	179	92	20 x 1.50	M6	500	30
4103160	160	M8/10	222	189	98	20 x 1.50	M6	500	25
4103180	180	M8/10	243	209	108	20 x 1.50	M6	500	20
4103200	200	M8/10	259	229	117	20 x 1.50	M6	500	20
4103225	225	M8/10	288	253	132	20 x 1.50	M6	500	20
4103250	250	M8/10	304	279	145	20 x 1.50	M6	500	20
4103280	280	M8/10	358	309	160	20 x 1.50	M6	500	20
4103300	300	M8/10	373	329	171	20 x 1.50	M6	500	20
4103315	315	M8/10	386	344	178	20 x 1.50	M6	500	20
4103355	355	M8/10	445	384	198	20 x 1.50	M6	500	15
4103400	400	M8/10	493	429	221	20 x 1.50	M6	500	10
4103450	450	M8/10	540	483	246	25 x 2.00	M6	1,100	15
4103500	500	M8/10	591	532	271	25 x 2.00	M6	1,100	10
4103560	560	M8/10	635	591	300	25 x 2.50	M10	1,300	10
4103600	600	M8/10	675	631	320	25 x 2.50	M10	1,300	10
4103630	630	M8/10	706	664	335	25 x 2.50	M10	1,300	8



## Complementary

BIS Support Bracket Rectangular Ductwork  
BIS Support Bracket Round Ductwork

## Alternative

BIS Aero®