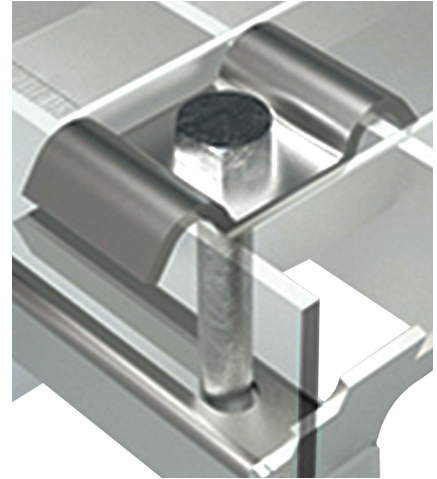


Fastening Set for Grids

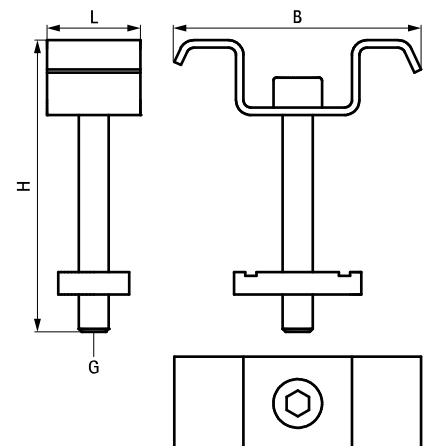
(104 18)



Features and benefits

- set contains 4 top plates, 4 screws and 4 hot dip galvanized slidenuts
- W-shaped top plate for optimal fit to grids and flat top surface
- material: steel

Part No.	G	L	B (mm)	H (mm)	Set	Pack 1
6769 9 000	M8	21 mm	60	68	4 pcs.	1



Complementary
 BIS Yeti® Service Deck Grid
 BIS Yeti® Service Deck Step