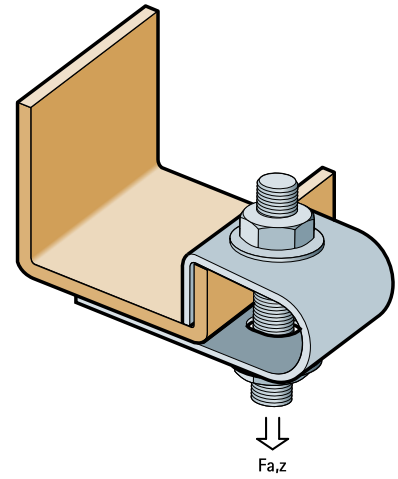


Britclips® Z Purlin Clamp

for vertical flanges

(J 40 166)



Features and benefits

- for fixing to vertical flanges
- for threaded rod up to M10
- material: steel
- zinc plated

Part No.	Code	$F_{a,z}$ (N)	Pack 1
EM57431185	ZHD2	450	100
EP57431185	ZHD2	450	10
<i>For use with static loads only.</i>			

