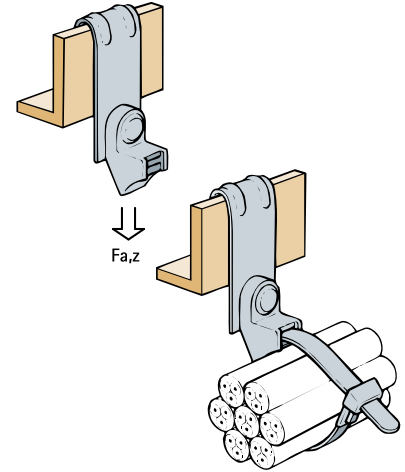


# Britclips® Vertical Flange Cable Saddle

(J 40 157)

for vertical flanges 1 - 7 mm



## Features and benefits

- for fixing to vertical flanges
- with saddle for cable tie attachment (up to width 7.6 mm)
- material: bracket made of spring steel (type CS70); tie-wrap clip of PA (polyamide), black
- surface treatment: Delta-Tone 9000 (480 hours)

Part No.	Code	Model	A (mm)	F <sub>a,z</sub> (N)	Pack 1
EM57320005	VFCT1	No tie	1 - 5	220	100
<i>For use with static loads only.</i>					

