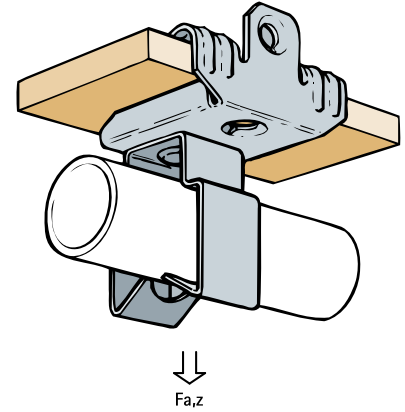


# Britclips® Universal Beam Clip / Conduit Combination

(J 10 115)

for flange 3 - 20 mm



## Features and benefits

- for a solid fixing to steel construction without the need for welding or drilling
- material: spring steel (type CS70)
- conduit clip swivels 360°
- surface treatment: Delta-Tone 9000 (480 hours)

Part No.	Code	D (mm)	A (mm)	F <sub>a,z</sub> (N)	Pack 1
EM51132007	50H2-4	20	3.0 - 7.0	110	100
EM51132013	50H5-8	20	8.0 - 12.5	110	50
EM51132020	50H9-12	20	14.0 - 20.0	110	50
EM51132507	75H2-4	25	3.0 - 7.0	110	100
EM51132513	75H5-8	25	8.0 - 12.5	110	50
EM51132520	75H9-12	25	14.0 - 20.0	110	50

*For use with static loads only.*

