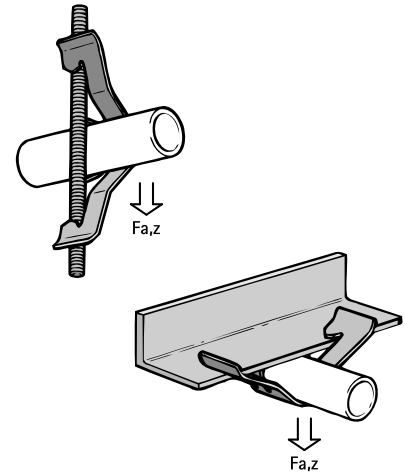
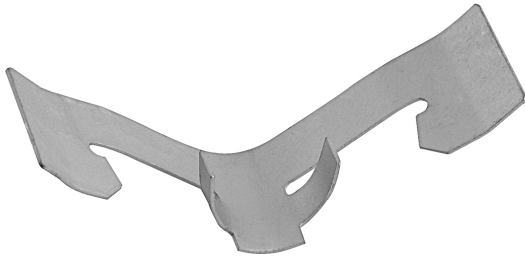


Britclips® TRC

for threaded rods or flanges 16 - 20 mm

(J 25 05)



Features and benefits

- for quick fixing to threaded rods or flanges without welding or drilling
- material: spring steel (type CS70)
- surface treatment: Delta-Tone 9000 (480 hours)

Part No.	Code	D (mm)	A (mm)	R	F _{a,z} (N)	Pack 1	Pack 2
55922510	TRCM10	16 - 20	6 - 9	M6 - M8 / M10	450	100	400
<i>For use with static loads only. Load shown is for beam application, for rod application F_{a,z} = 220 N.</i>							

