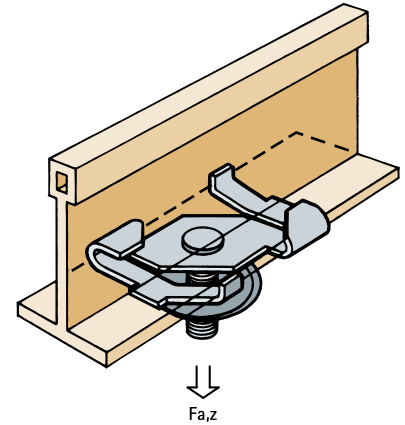


# Britclips® T Bar / Twist On Clip (OAC)

(J 35 110)

for ceiling grid



## Features and benefits

- twist on fixing
- for fixing to the ceiling grid
- with stud bolt M6 (length see table) for fixing of clamp, conduit junction box, etc.
- spin nut included
- material: spring steel (type CS70)
- surface treatment: Delta-Tone 9000 (480 hours)

Part No.	Code	h (mm)	F <sub>a,z</sub> (N)	Pack 1
EM56521607	OAC25-16	16	220	100
EM56522507	OAC25-25	25	220	100

*For use with static loads only.*

