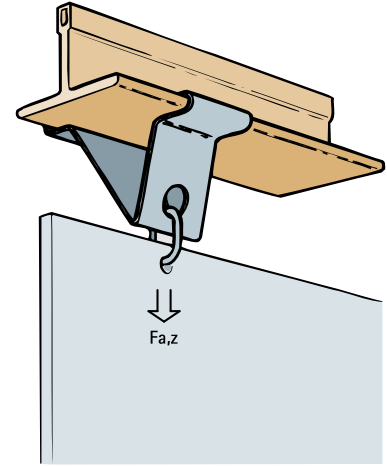


Britclips® Sign Hanger

for ceiling grid 25 mm

(J 35 130)



Features and benefits

- twist on fixing
- for fixing to the ceiling grid
- with fixing hole (Ø 7.0 mm) to fix S-hook, etc.
- material: spring steel (type CS70)
- surface treatment: Delta-Tone 9000 (480 hours)

Part No.	Code	F _{a,z} (N)	Pack 1
EM56020725	HSH	180	100
<i>For use with static loads only.</i>			

