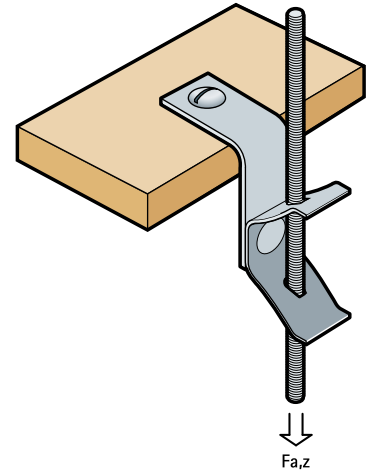


Britclips® Right Angle Threaded Rod Hanger

miscellaneous fixings

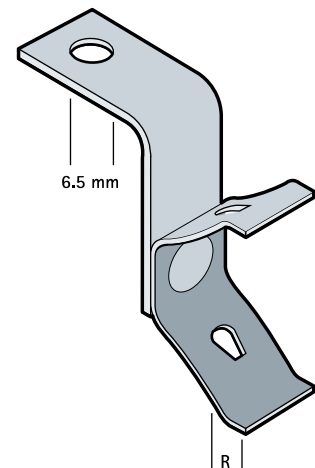
(J 50 122)



Features and benefits

- angle bracket 90°
- with threaded rod clip (rod height adjustable by sliding)
- material: Britclips® Height Adj Threaded Rod Hanger made of spring steel (type CS70); Britclips® Right Angle Bracket made of steel
- surface treatment: Delta-Tone 9000 (480 hours)

Part No.	Code	R	F _{a,z} (N)	Pack 1
EM59620800	RHA-TRH8	M8	350	100
<i>For use with static loads only.</i>				



Complementary
Walraven Stud Bolt
Walraven Threaded Rod