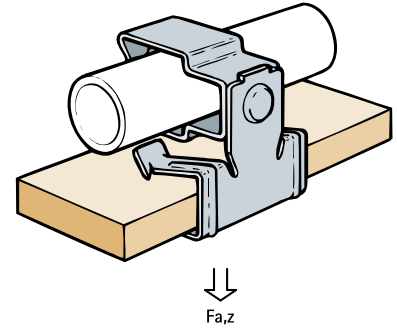
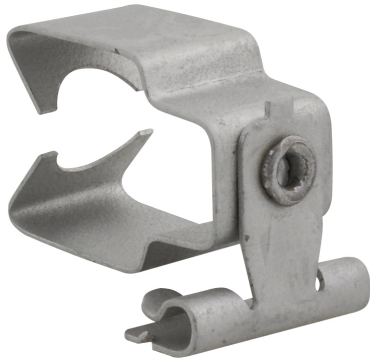


Britclips® Reversed Beam Clip / Conduit Combination

(J 05 135)

for flange 2 - 30 mm



Features and benefits

- for a solid fixing to steel construction without the need for welding or drilling
- material: spring steel (type CS70)
- surface treatment: Delta-Tone 9000 (480 hours)

Part No.	Code	D (mm)	A (mm)	F _{a,z} (N)	Pack 1
EM50142009	BCC25-50R	20	4 - 8	110	50
EM50142016	BCC50-50R	20	8 - 14	110	50
EM50142020	BCC75-50R	20	14 - 20	110	50
EM50142030	BCC100-50R	20	20 - 28	110	50
EM50142509	BCC25-75R	25	4 - 8	110	100
EM50142516	BCC50-75R	25	8 - 14	110	50
EM50142520	BCC75-75R	25	14 - 20	110	50
EM50142530	BCC100-75R	25	20 - 28	110	50

For use with static loads only.

