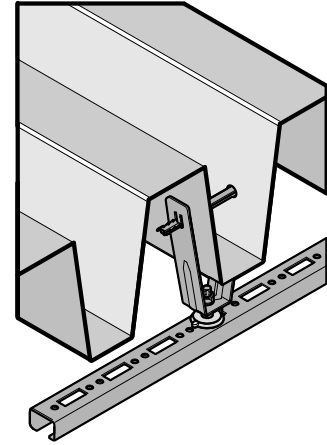


# Britclips® Rapid RTB

for ceilings

(J 30 25)

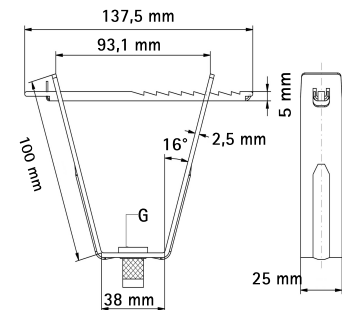


## Features and benefits

- for fixing to trapezium shaped roofing sheets
- minimum thickness roof sheet 0.63 mm
- quick fixing: one piece and elements cannot be lost
- for making a hole in the roof deck we recommend the use of the BIS Hole Punching Pliers (Part No. 692 0 012)
- pre-galvanized
- material: steel

| Part No. | Code   | G         | F <sub>a,z</sub> (N) | Pack 1 |
|----------|--------|-----------|----------------------|--------|
| 6781106  | RTB 6  | M6        | 1,500                | 50     |
| 6781108  | RTB 8  | M8        | 1,500                | 50     |
| 6781110  | RTB 10 | M10       | 1,500                | 50     |
| 6781013  | RTB 13 | Ø 13.0 mm | 1,500                | 50     |

*Maximum load (F<sub>a,z</sub>) depends on the load capacity of the trapezium shaped roofing sheet. Before mounting, the roof load capacity has to be confirmed by a structural engineer.*



## Complementary

- Walraven Stud Bolt
- Walraven Threaded Rod
- BIS Hole Punching Plier