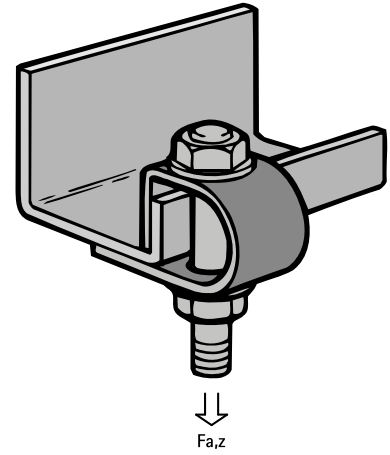


Britclips® PHD

for vertical flanges

(J 40 65)



Features and benefits

- for fixing to vertical flanges
- for threaded rod up to M10
- material: spring steel (type CS70)
- zinc plated

Part No.	Code	F _{a,z} (N)	Pack 1	Pack 2
5743 1 185	PHD	450	100	400
5743 1 155	PHD-B	450	10	-

Articles with codes ending in a '-B' are packed in a plastic bag.
For use with static loads only.

