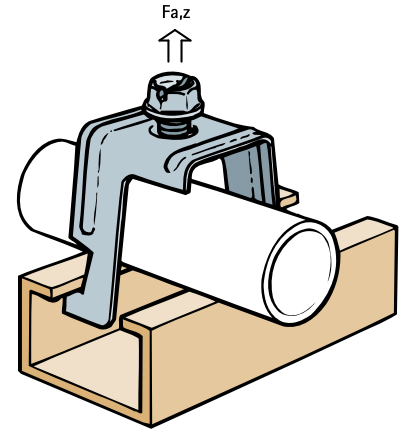


Britclips® Metal Framing Conduit Clip

(J 50 128)

for all pipes Ø 16 - 25 mm



Features and benefits

- for engaging in metal Strut and supporting conduit
- material: spring steel (type CS70)
- conduit held in place by setting screw
- surface treatment: Delta-Tone 9000 (480 hours)

Part No.	Code	D (mm)	For Rail	F _{a,z} (N)	Pack 1
EM57800025	MF75	20 - 25	Strut	450	100
<i>For use with static loads only.</i>					

