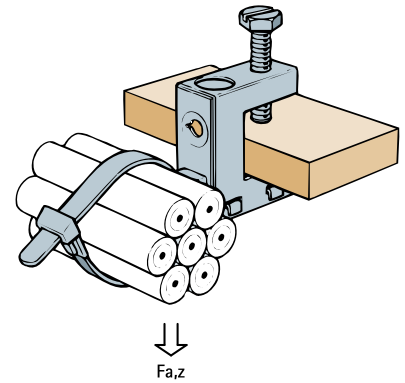
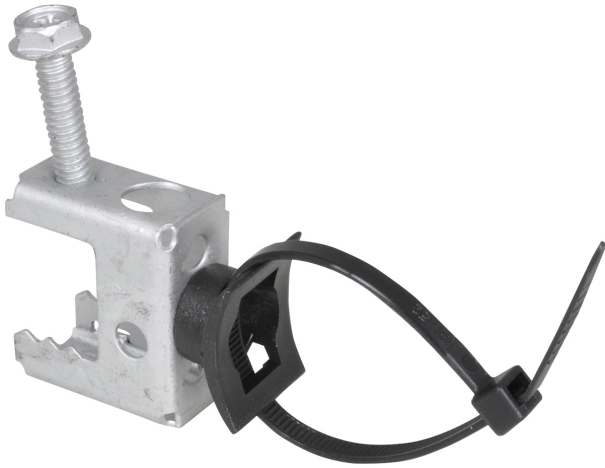


Britclips® Master Clamp / Cable Tie

for flange 2 - 17 mm

(J 15 160)



Features and benefits

- for a solid fixing to steel construction without the need for welding or drilling
- various fixing possibilities to clamp (horizontal and vertical)
- with saddle for cable tie attachment (up to width 7.6 mm)
- material: bracket made of spring steel (type CS70); tie-wrap clip of PA (polyamide), black
- surface treatment: Delta-Tone 9000 (480 hours)

Part No.	Code	Model	F _{a,z} (N)	Pack 1
EM53320017	MCCT	No tie	220	100
<i>For use with static loads only.</i>				

