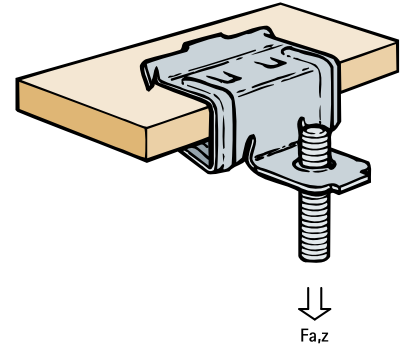


# Britclips® Light Duty Rod Hanger M6

for flange 5 - 16 mm

(J 05 155)

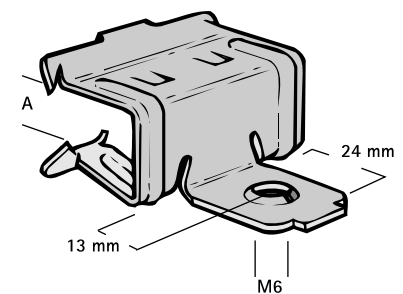


## Features and benefits

- for a solid fixing to steel construction without the need for welding or drilling
- suitable for M6 threaded rod
- material: spring steel (type CS70)
- surface treatment: Delta-Tone 9000 (480 hours)

Part No.	Code	A (mm)	F <sub>a,z</sub> (N)	Pack 1
EM50425609	BC250-M6	4 - 8	150	100
EM50425616	BC500-M6	8 - 14	150	100

*For use with static loads only.*



## Complementary

Walraven Stud Bolt  
Walraven Threaded Rod