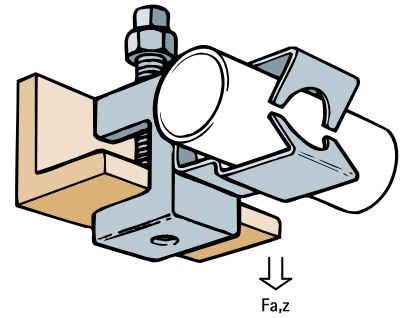
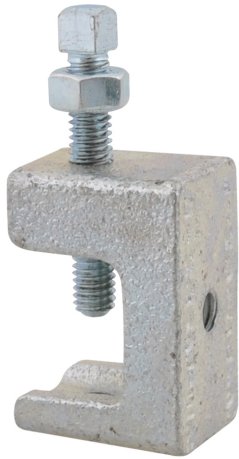


Britclips® Heavy Duty Threaded Clamp

(J 50 164)



Features and benefits

- for a solid fixing to steel construction without the need for welding or drilling
- material: malleable iron
- various fixing possibilities to clamp (horizontal and vertical)
- bright zinc plated

Part No.	Code	h (mm)	F _{a,z} (N)	Pack 1
6003996	HLC	35	590	50

For use with static loads only.

